



SPARES CATALOGUE

For all Grant oil-fired boilers and renewable technologies



1st January 2025

This supercedes all previous issues

Riello Spares

Burners	4 - 6
Riello G5	7 - 14
Riello RDB BX	15 - 17
Riello RDB	18 - 29
Riello RDB BLU	30 - 38
Riello RDB BLU IONO	39 - 46

Oil Boilers

Ecoflam Burners	48
Ecoflam Max1	49 - 54
Ecoflam Max1 LN	55 - 60
Sterling	61 - 65
Baffles & access doors	66 - 78
Circulating pumps	79
Control panel spares	81 - 85
Switches	86 - 88
Expansion vessels	89 - 92
Gauges	93
Hoses & filling loops	94 - 96
Stats	97 - 98
Valves, vents & drains	99 - 103
Flue guards	104
Miscellaneous	105 - 111
Nozzles	112 - 113
Fire Valves	114

Mag One Filter

Mag One & Duo spares	115 - 116
----------------------	-----------

Solar

Solar spares	117 - 119
--------------	-----------

Cylinders

Cylinder spares	120 - 123
-----------------	-----------

Air Source Heat Pumps

Controllers & accessories	125 - 127
Capacitors	128 - 129
Motors	130 - 131
Compressors	132 - 134
Pumps	135 - 136
PCB boards	137 - 138
Valves	139 - 142
Miscellaneous	143 - 150

Biomass

Spira burner spares	152 - 157
Spira boiler spares	158 - 166
Spira hopper spares	167
Spira augers & burners	168
SpiraVac spares	169 - 173
Vecta Spares	174 - 179

To download the latest Spares Price List please head to www.grantuk.com/professional/support/manuals-brochures or scan the QR code below.



RDB1 NEUTRALBURNER

Riello RDB1 Neutral Burner



Riello Part: 3513008

RDB2 NEUTRALBURNER

Riello RDB2 Neutral Burner



Riello Part: 3513603

RDB3513610

Riello RDB Burner (standard yellow flame models)



Suitable for:
Vortex 26-36kW
Vortex Combi 36kW

RDB3514501

Riello RDB Burner (standard yellow flame models)



Suitable for:
Vortex 36-46kW

RDB3 NEUTRALBURNER

Riello RDB3 Neutral Burner



Riello Part: 3748950

RDB4 NEUTRALBURNER

Riello RDB4 Neutral Burner



Riello Part: 3748850

RDB3748920

Riello RDB Burner



Suitable for:
Vortex 46-58kW

RDB3748921

Riello RDB Burner



Suitable for:
Vortex 58-70kW

RDB3514104

Riello RDB Burner (standard yellow flame models)



Suitable for:
Vortex 15-21kW
Vortex Combi 21kW

RDB3514204

Riello RDB Burner (standard yellow flame models)



Suitable for:
Vortex 15-26kW
Vortex Combi 26kW

RDB20147321

Riello RDB Burner (Low NOx models)



Suitable for:
Vortex 15-21kW
Vortex Combi 21kW

RDB20094977

Riello RDB Burner (Low NOx models)



Suitable for:
Vortex 15-26kW

NOTE: Riello Burners do not come with flange or gasket, they are sold separately

NOTE: Riello Burners do not come with flange or gasket, they are sold separately

RDB20147322

Riello RDB Burner (Low NOx models)



Suitable for:
Vortex Combi 26kW

RDB20147346

Riello RDB Burner (Low NOx models)



Suitable for:
Vortex 21-26kW

RDB20109931

Riello RDB Burner (Low NOx models)



Suitable for:
Vortex 26-36kW

RDB20110334

Riello RDB Burner (Low NOx models)



Suitable for:
Vortex 36-46kW

RDB20147350

Riello RDB Burner (Low NOx models)



Suitable for:
Vortex Combi 36kW

Z20030780

Riello R40 G3 Burner



Z20031996

Oil Pump



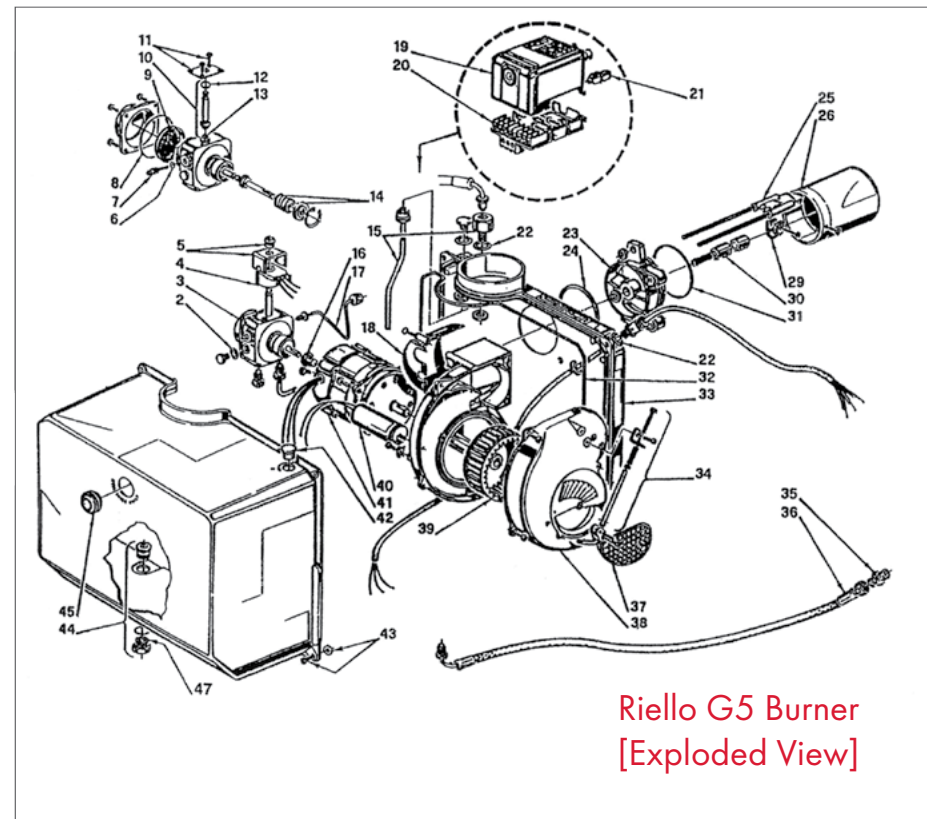
Diagram Index: 3
Riello Part: 20031996

Z3005721

Electrodes (R40, G3, G5)



Riello Part: 3005721



Riello G5 Burner
[Exploded View]

NOTE: Riello Burners do not come with flange or gasket, they are sold separately

Z3002279

Solenoid Coil



Diagram Index: 4
Riello Part: 3002279

Z3007169

O-Ring Regulator (10 pack)



Diagram Index: 6
Riello Part: 3007169

Z3000439

Oil Pump Seal



Diagram Index: 14
Riello Part: 3000439

Z3007623

Tube Assembly Pump Inlet



Diagram Index: 15
Riello Part: 3007623

Z3007202

Oil Pressure Regulator



Diagram Index: 7
Riello Part: 3007202

Z3007175

Oil Pump 'O' Rings (10 pack)

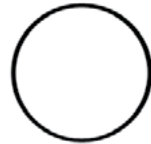


Diagram Index: 8
Riello Part: 3007175

Z3000443

Drive Coupling (10 pack)



Diagram Index: 16
Riello Part: 3000443

Z3007502

Oil Pump Outlet Tube



Diagram Index: 17
Riello Part: 3007502

Z3005719

Pump Filter



Diagram Index: 9
Riello Part: 3005719

Z3020437

Valve Oil Pump Solenoid



Diagram Index: 10
Riello Part: 3020437

Z3001156

Control Box 530E



Diagram Index: 19
Riello Part: 3001156

Z3002278

Control Box Base



Diagram Index: 20
Riello Part: 3002278

Z20132573

Photocell



Diagram Index: 21
Riello Part: 20132573

Z3007796

Collar Burner Head Mounting



Diagram Index: 23
Riello Part: 3007796

Z3006001

Combustion Head G3B 50/90



Diagram Index: 26
Riello Part: 3006001

Z3005775

Combustion Head G2 Compact



Diagram Index: 26
Riello Part: 3005775

Z3007629

O-Ring Collar



Diagram Index: 24
Riello Part: 3007629

Z3007503

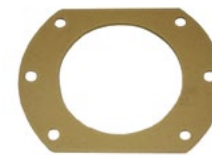
Electrode Assembly



Diagram Index: 25
Riello Part: 3007503

Z3005787

Gasket Flange



Riello Part: 3005787

Z3005724

Nozzle Holder



Diagram Index: 30
Riello Part: 3005724

Z3008446

Combustion Head G3Q 40/60



Diagram Index: 26
Riello Part: 3008446

Z3007631

Combustion Head GS3 110/140



Diagram Index: 26
Riello Part: 3007631

Z3007178

Combustion Head O-Ring (10 pack)

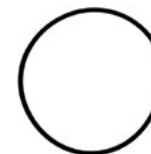


Diagram Index: 31
Riello Part: 3007178

Z3007630

Burner Cover Seal



Diagram Index: 32
Riello Part: 3007630

For blast tube retaining screws see page 18

Z3003602

Adaptor Oil Line 3/8 x 1/4

Diagram Index: 35
Riello Part: 3003602**RBS36**

Flexi Oil Hose 3/8 x 1/4



Diagram Index: 36

Z20029299

Oil Pump By-Pass Plug (pack of 5)



Riello Part: 20029299

Z3006911

Short Hydraulic Ram



Riello Part: 3006911

Z3005708

Fan Impellar



Riello Part: 3005708

Z20087025

Capacitor P2 4uF

Diagram Index: 40
Riello Part: 20087025**Z3020444**

Long Hydraulic Ram



Riello Part: 3020444

Z3007798

Thin Mounting Flange



Riello Part: 3007798

Z3007971

Motor

Diagram Index: 41
Riello Part: 3007971**Z3007913**

Combustion Head Ring G3Q & G3N



Riello Part: 3007913

RBS86

Long Life Reinforced Oil Line (rubber)

**Z3005971**

Flange Gasket



Riello Part: 3005971

Z3007132

O-Rings (10 pack)



Riello Part: 3007132

Z3006552

Electrode Clamp/ Screw (10 pack)



Riello Part: 3006552

Z3007208

Air Intake



Riello Part: 3007208

Z3008647

Air Damper Assembly



Riello Part: 3008647

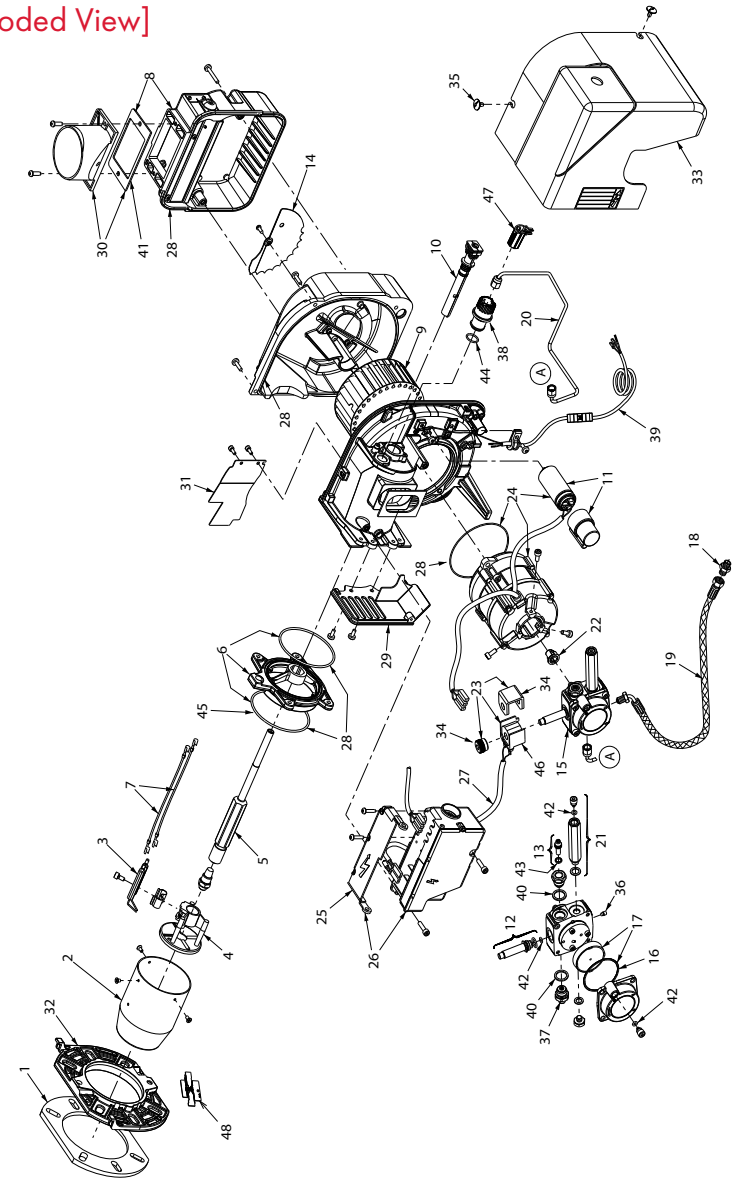
Z3000681

Air Damper Regulator



Riello Part: 3000681

RDB2.2 BX
[Exploded View]



Z20147320
Blast Tube



Diagram Index: 2
Riello Part: 20147320

Z20018545
Electrodes (15-26kW)




Diagram Index: 2
Riello Part: 20018545

Z20134372
Knob




Diagram Index: 38
Riello Part: 20134372

RBS36B10
Blast Tube Retaining Screws (pack of 10)



Z20018693
Electrodes (26-46kW)



Diagram Index: 2
Riello Part: 20018693

Z20139837
Diffuser Disc (15-26kW) (BX500)





Diagram Index: 4
Riello Part: 20139837

Z20119098
RDB Cover Fixing Screws (pack of 10)

Image coming soon

ZLOWNOXGAUGE
Burner Gauge



Z20133586
Diffuser Disc (26-46kW) (BX700)


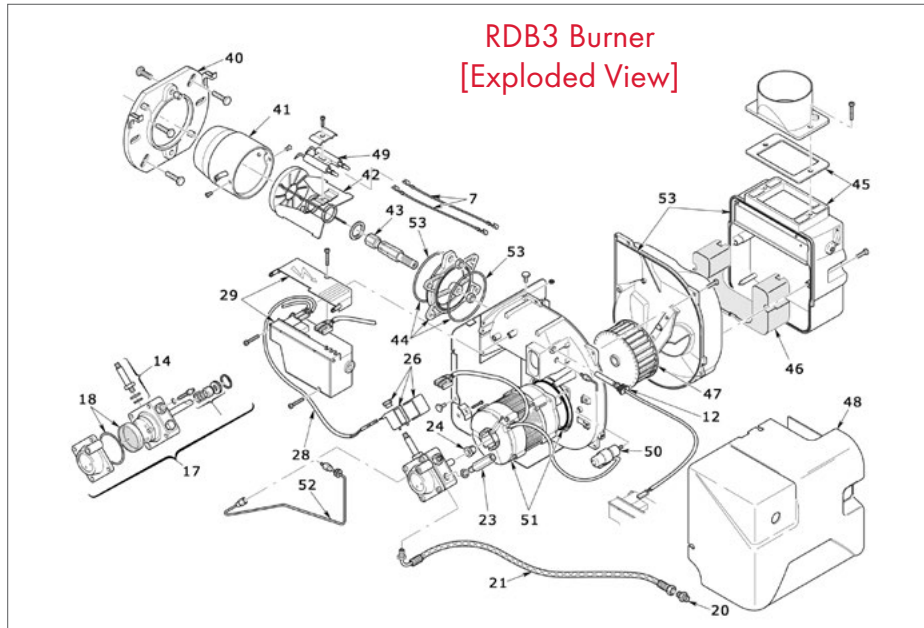
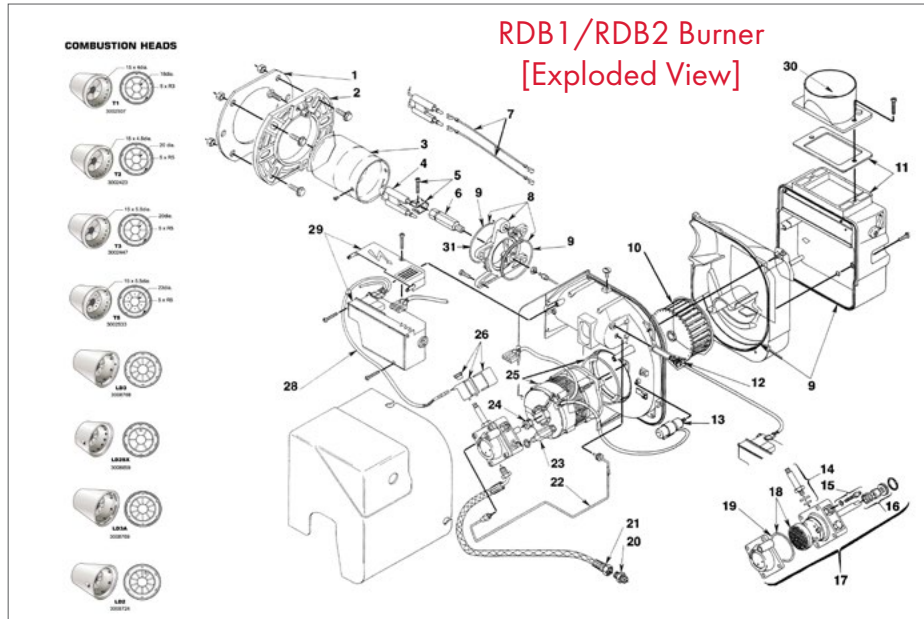


Diagram Index: 4
Riello Part: 20133586

Z20133588
Nozzle Holder



Diagram Index: 5
Riello Part: 20133588



Z3007175

Oil Pump O-Rings (10 pack)

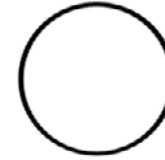


Diagram Index: 19
Riello Part: 3007175

Z20030953

Oil Pump



Diagram Index: 17
Riello Part: 20030953

Z3000439

Oil Pump Seal



Diagram Index: 16
Riello Part: 3000439

Z20029299

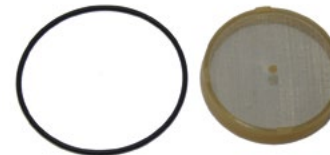
Oil Pump By-Pass Plug (pack of 5)



Riello Part: 20029299

Z3020436

Pump Filter & O'Ring



Riello Part: 3020436

Z20071577

Motor (with P2 capacitor)



Diagram Index: 25
Riello Part: 20071577

Z3008964

Motor RDB3.2

Diagram Index: 51
Riello Part: 3008964**Z3008647**

Air Damper Assembly RDB1 & RDB2

Diagram Index: 11
Riello Part: 3008647**Z3008961**

Supply Tube RDB3.2

Diagram Index: 52
Riello Part: 3008961**Z20193432**

Photodiode (analogue)

Diagram Index: 12
Riello Part: 20193432**Z3008839**

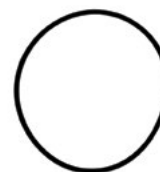
Air Damper Assembly RDB3.2

Diagram Index: 45
Riello Part: 3008839**Z3008652**

Control Box 535

Diagram Index: 29
Riello Part: 3008652**Z3007178**

Combustion Head O-Ring (10 pack)

Diagram Index: 31
Riello Part: 3007178**Z3008878**

Seal Kit (not suitable for blast tube)

Diagram Index: 9
Riello Part: 3008878**Z3008644**

Supply Tube RDB1 & RDB2

Diagram Index: 22
Riello Part: 3008644**Z20156950**

Supply Tube BX

**Z3008963**

Seal Kit RDB3.2

Diagram Index: 53
Riello Part: 3008963**Z3007132**

O-Rings (10 pack)



Riello Part: 3007132

Z3002572

Combustion Head RDB3.2

Diagram Index: 41
Riello Part: 3002572**Z3008724**

Combustion Head LD2

Diagram Index: 3
Riello Part: 3008724**Z3002423**

Combustion Head T2

Diagram Index: 3
Riello Part: 3002423**Z3002447**

Combustion Head T3

Diagram Index: 3
Riello Part: 3002447**Z3008859**

Combustion Head LD2SX (EF50/70)

Diagram Index: 3
Riello Part: 3008859**Z3008768**

Combustion Head LD3 (70/90)

Diagram Index: 3
Riello Part: 3008768**Z3002533**

Combustion Head T5

Diagram Index: 3
Riello Part: 3002533**Z3008861**

Nozzle Holder (EF50/70)

Diagram Index: 6
Riello Part: 3008861**Z3008769**

Combustion Head LD3A (90/120, 110/140)

Diagram Index: 3
Riello Part: 3008769**Z3002507**

Combustion Head T1

Diagram Index: 3
Riello Part: 3002507**Z3008642**

Nozzle Holder

Diagram Index: 6
Riello Part: 3008642**Z3002570**

Nozzle Holder RDB3.2

Diagram Index: 43
Riello Part: 3002570

Z3007176

O-Ring Solenoid Valve (10 pack)



Riello Part: 3007176

Z3008648

Solenoid Coil



Diagram Index: 26
Riello Part: 3008648

Z3008876

Pressure Gauge Connector



Diagram Index: 23
Riello Part: 3008876

Z3007513

Electrode Assembly RDB1 & RDB2



Diagram Index: 4
Riello Part: 3007513

Z3007871

Solenoid Needle Valve



Diagram Index: 14
Riello Part: 3007871

Z3008851

Solenoid Lead



Diagram Index: 28
Riello Part: 3008851

Z3020121

Electrode Assembly RDB3.2



Diagram Index: 49
Riello Part: 3020121

Z3008860

Electrode Group (EF50/70)



Diagram Index: 4
Riello Part: 3008860

Z3008875

Electrode Screw (Euroflame 50/70)



Riello Part: 3008875

Z3006552

Electrode Clamp/ Screw (10 pack)



Riello Part: 3006552

Z3005708

Fan Impellar RDB 1



Diagram Index: 10
Riello Part: 3005708

Z3005788

Fan Impellar RDB2.1/ RDB2.2



Diagram Index: 10
Riello Part: 3005788

Z3008645

Fan Impellar RDB2



Diagram Index: 10
Riello Part: 3008645

Z3005799

Fan Impellar RDB3.2



Diagram Index: 47
Riello Part: 3005799

Z3008637

Mounting Flange RDB3.2



Diagram Index: 40
Riello Part: 3008637

Z3008794

High Voltage Lead (6 pack)



Diagram Index: 7
Riello Part: 3008794

Z3005787

Gasket Flange



Diagram Index: 1
Riello Part: 3005787

Z3005795

Gasket RDB3.2



Riello Part:3005795

Z3000443

Drive Coupling (10 pack)



Diagram Index: 24
Riello Part: 3000443

Z20087035

Capacitor P2 4uF



Diagram Index: 13
Riello Part: 20087035

Z3006384

Flange



Diagram Index: 2
Riello Part: 3007798

RBS36B10

Blast Tube Retaining Screws (pack of 10)



Z20081251

Capacitor P2 5uF RDB3.2



Diagram Index: 50
Riello Part: 20081251

Z20071576

Capacitor P2 4.5uF (new motor)



Diagram Index: 13
Riello Part: 20071576

Z3008957

Collar RDB3.2



Diagram Index: 44
Riello Part: 3008957

Z3008643

Collar Burner Head Mounting



Diagram Index: 8
Riello Part: 3008643

Z3002571

Diffuser Disc RDB3.2



Diagram Index: 42
Riello Part: 3002571

Z2880584

Burner Plug (all Vortex Combis post Dec 14)



Riello Part:3006608

Z3003602

Adaptor Oil Line 3/8 x 1/4



Diagram Index: 20
Riello Part: 3003602

RBS36

Flexi Oil Hose 1/4M x 3/8F x 900mm



Diagram Index: 21

Z2880583

Burner Socket (all Vortex Combis (post Dec 14))



Riello Part: 3006607

Z3008879

Cover RDB1 & RDB2



Diagram Index: 48
Riello Part: 3008879

RBS86

Long-Life Reinforced Oil Line (rubber)



Z3062774

Air Snorkel Spigot



Diagram Index: 30
Riello Part: 3062774

Z3008962

Cover RDB3.2

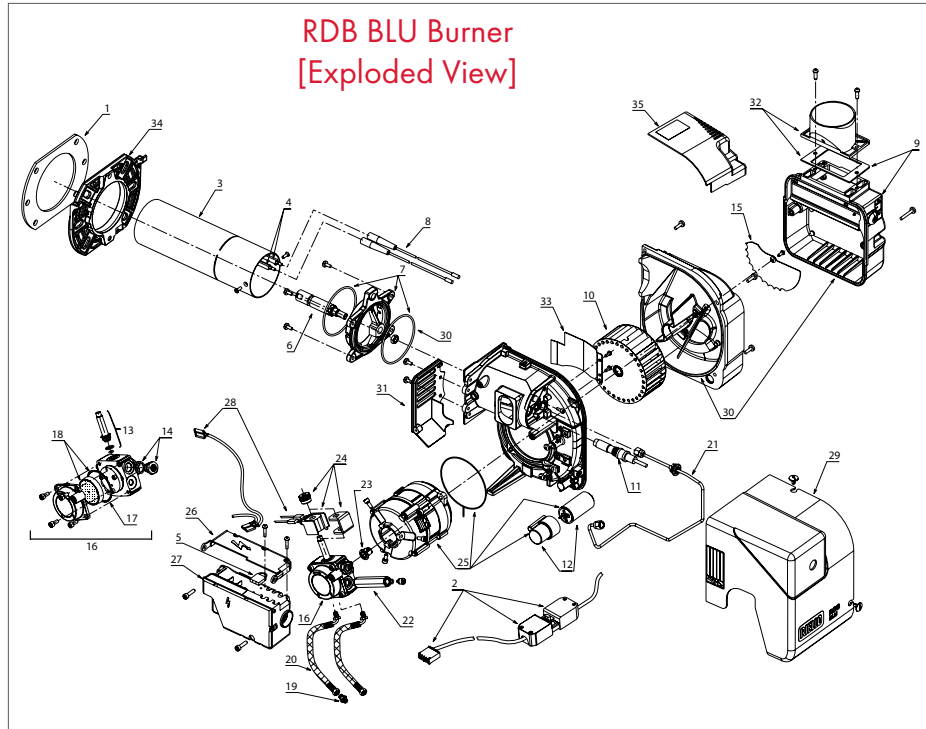


Diagram Index: 48
Riello Part: 3008962

Z20119098

RDB Cover Fixing Screws (pack of 10)





Z20117411
Gasket (36kW)

Diagram Index: 1
Riello Part: 20117411

Z3005787
Gasket (21kw, 26kW)

Diagram Index: 1
Riello Part: 3005787

Z20117417
4-Pin Connector (26kW, 36kW)

Diagram Index: 2
Riello Part: 20117417

Z20117432
4-Pin Connector (21kW)

Diagram Index: 2
Riello Part: 20125427

Z20117435
Combustion Head - BG1 (21kW)

Diagram Index: 3
Riello Part: 20117435

Z20120985
Combustion Head - BG2 (26kW)

Diagram Index: 3
Riello Part: 20120985

Z20117437
Combustion Head - BG3 (36kW)

Diagram Index: 3
Riello Part: 20147666

Z20117455
Ignition Electrodes

Diagram Index: 4
Riello Part: 20117455

Z20045862

Pre-heater jumper link (10 pack)



Diagram Index: 5
Riello Part: 20045862

Z20117459

Nozzle Holder (21kW, 26kW)



Diagram Index: 6
Riello Part: 20117459

Z3008647

Air Damper Assembly (21kW)



Diagram Index: 9
Riello Part: 3008647

Z3008839

Air Damper Assembly (26kW, 36kW)



Diagram Index: 9
Riello Part: 3008839

Z20117461

Nozzle Holder (36kW)



Diagram Index: 6
Riello Part: 20117461

Z20125427

Collar BG1 (21kW)



Diagram Index: 7
Riello Part: 20117472

Z3005788

Fan



Diagram Index: 10
Riello Part: 3005788

Z20095126

UV Sensor



Diagram Index: 11
Riello Part: 20095126

Z20125428

Collar BG2 & BG3 (26kW, 36kW)



Diagram Index: 7
Riello Part: 20125428

Z20105111

Ignition HT Lead (pack of 2)



Diagram Index: 8
Riello Part: 20105111

Z20071576

Capacitor 4.5uF



Diagram Index: 12
Riello Part: 20071576

Z20032135

Pump Pressure Regulator



Diagram Index: 14
Riello Part: 20032135

Z20094349

Air Adjuster Disc (21kW)



Diagram Index: 15
Riello Part: 20094349
Suitable for:
- VTXBF21 when setting to 15kW
- VXCOMBI21 internal and external models
- VTXEEO15/21 & VTXEEO21/26 internal & external models
- VTX15/26 & VTX26/46 internal & external models

Z3007175

O-Ring (pump filter) 10pk

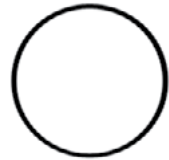


Diagram Index: 17
Riello Part: 3007175

Z3000443

Oil Pump Drive Coupling (10 pack)



Diagram Index: 23
Riello Part: 3000443

Z3008648

Solenoid Coil



Diagram Index: 24
Riello Part: 3008648

Z20030953

Oil Pump



Diagram Index: 16
Riello Part: 20030953

RBS36

Flexible Oil Hose



Diagram Index: 20

Z20071577

Motor (with P2 capacitor)



Diagram Index: 25
Riello Part: 20071577

Z20094351

Control Box Cover



Diagram Index: 26
Riello Part: 20094351

Z20117488

Oil Pipe



Diagram Index: 21
Riello Part: 20117488

Z3008876

Pressure Gauge Connector



Diagram Index: 22
Riello Part: 3008876

Z20117694

Control Box

NOTE: Coil not included



Diagram Index: 27
Riello Part: 20117694

Z3008682

Solenoid Coil Lead



Diagram Index: 28
Riello Part: 3008682

Z20117497

Cover

Diagram Index: 29
Riello Part: 20117497**Z3008878**

O-Ring Kit (not suitable for blast tube)

Diagram Index: 30
Riello Part: 3008878**Z20012046**

Air Intake - Conventional Flue

Diagram Index: 35
Riello Part: 20012046**Z20119098**

RDB Cover Fixing Screws (pack of 10)

Diagram Index: 35
Riello Part: 20119098**Z3020306**

Front Shield

Diagram Index: 31
Riello Part: 3020306**Z3020281**

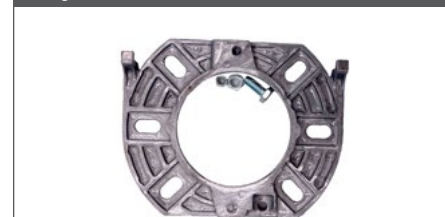
Air Intake - Balanced Flue

Diagram Index: 32
Riello Part: 3020281**Z20094352**

Flange (36kW)

Diagram Index: 34
Riello Part: 20094352**Z3006384**

Flange (21 kW, 26kW)

Diagram Index: 34
Riello Part: 3006384**Z20117504**

Air Baffle (21 kW, 26kW)

Diagram Index: 33
Riello Part: 20117504**Z3020281**

Air Intake - Balanced Flue

Diagram Index: 33
Riello Part: 20117506**RBS36B10**

Blast Tube Retaining Screws (pack of 10)

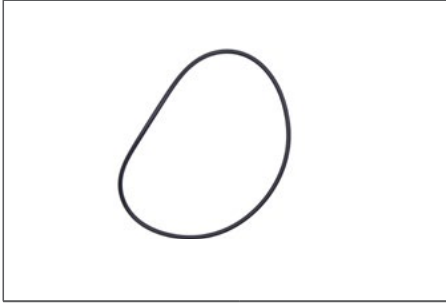
Diagram Index: 33
Riello Part: RBS36B10**Z3012868**

BF Blast tube O Ring (Pack of 5)

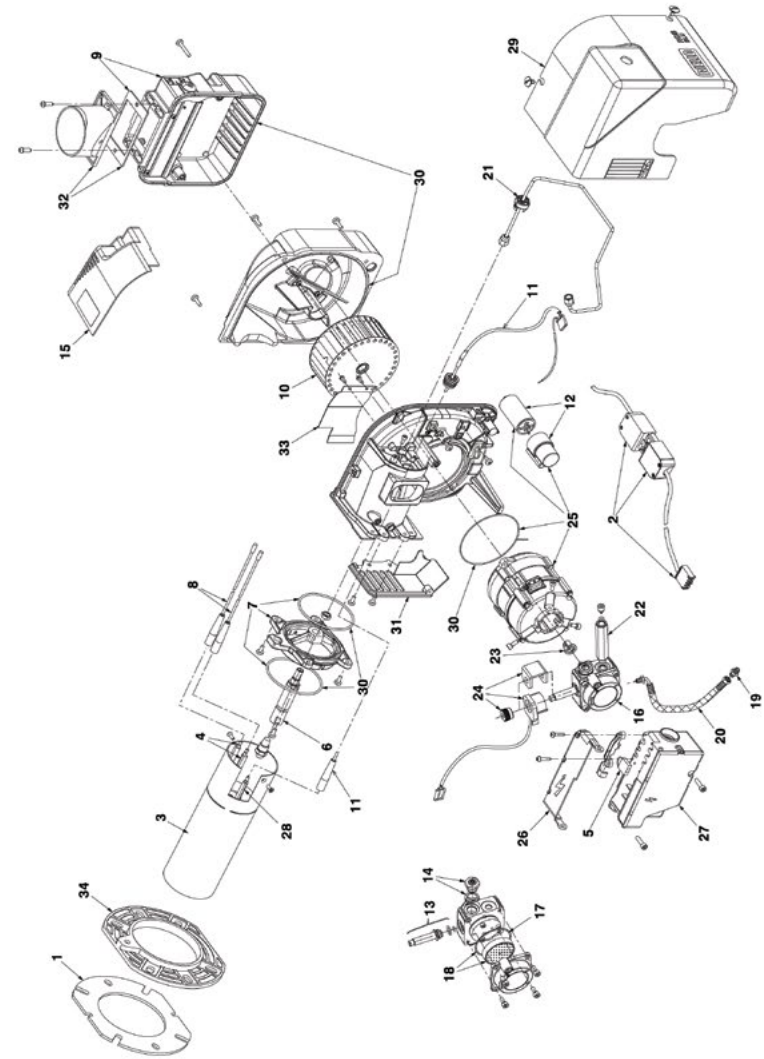
Diagram Index: 33
Riello Part: Z3012868

Z3012868X

BF Blast tube O Ring



RDB BLU INONO Burner
[Exploded View]



Z20117411

Gasket (21kW, 26kW, 36kW)

Diagram Index: 1
Riello Part: 20117411**Z20117432**

4-Pin Connector (21kW)

Diagram Index: 2
Riello Part: 20117432**Z20117455**

Ignition Electrodes

Diagram Index: 4
Riello Part: 20117455**Z20045862**

Pre-heater jumper link (10 pack)

Diagram Index: 5
Riello Part: 20045862**Z20117417**

4-Pin Connector (26kW, 36kW)

Diagram Index: 2
Riello Part: 20117417**Z20175374**

Combustion Head (21kW)

Diagram Index: 3
Riello Part: 20175374**Z20117459**

Nozzle Holder (21kW, 26kW, 36kW)

Diagram Index: 6
Riello Part: 20117459**Z20125427**

Collar BG1 (21kW, 26kW, 36kW)

Diagram Index: 7
Riello Part: 20117472**Z20175375**

Combustion Head (26kW)

Diagram Index: 3
Riello Part: 20175375**Z20175376**

Combustion Head (36kW)

Diagram Index: 3
Riello Part: 20175376**Z20105111**

Ignition HT Lead (pack of 2)

Diagram Index: 8
Riello Part: 20105111**Z3008647**

Air Damper Assembly (21kW, 26kW)

Diagram Index: 9
Riello Part: 3008647

Z3008839

Air Damper Assembly RDB3.2 (36kW)



Diagram Index: 9
Riello Part: 3008839

Z3005788

Fan



Diagram Index: 10
Riello Part: 3005788

Z20030953

Oil Pump



Diagram Index: 16
Riello Part: 20030953

Z3007175

Oil Pump O-Rings (10 pack)

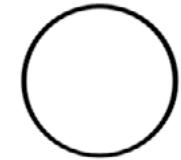


Diagram Index: 17
Riello Part: 3007175

Z20177875

Probe Connection



Diagram Index: 11
Riello Part: 20177875

Z20071576

Capacitor P2 4.5uF



Diagram Index: 12
Riello Part: 20071576

Z3020436

Pump Filter & O'Ring

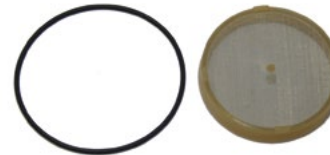


Diagram Index: 18
Riello Part: 3020436

Z3009046

1/4 X 1/4 Hose Connector



Diagram Index: 19
Riello Part: 3009046

Z3007871

Solenoid Needle Valve



Diagram Index: 13
Riello Part: 3007871

Z20012046

Air Intake - Conventional Flue



Diagram Index: 15
Riello Part: 20012046

RBS36

Flexi Oil Hose 900mm 3/8 M x 1/4 F



Diagram Index: 20

Z3008876

Pressure Gauge Connector



Diagram Index: 22
Riello Part: 3008876

Z3000443

Oil Pump Drive Coupling (10 pack)



Diagram Index: 23
Riello Part: 3000443

Z20175038

Coil - Shell and Knob



Diagram Index: 24
Riello Part: 20175038

Z20180632

Ionization Probe (26kW, 36kW)



Diagram Index: 28
Riello Part: 20180632

Z20117497

Cover



Diagram Index: 29
Riello Part: 20117497

Z20071577

Motor (with P2 capacitor)



Diagram Index: 25
Riello Part: 20071577

Z20094351

Control Box Cover



Diagram Index: 26
Riello Part: 20094351

Z3020306

Front Shield



Diagram Index: 31
Riello Part: 3020306

Z3020281

Air Intake - Balanced Flue



Diagram Index: 32
Riello Part: 3020281

Z20165494

Control Box (must be ordered with Z20175038)



Diagram Index: 27
Riello Part: 20165494

Z20180631

Ionization Probe (21kW)



Diagram Index: 28
Riello Part: 20180631

Z20117504

Air Baffle



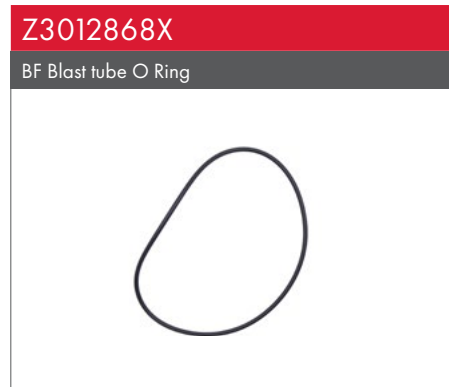
Diagram Index: 33
Riello Part: 20117504

Z20094352

Flange



Diagram Index: 34
Riello Part: 20094352



Flexible learning anytime, anywhere, with the Grant eLearning Academy

Develop product and industry knowledge from the comfort of your own home with our expert trainers.

Training with Grant eLearning could not be easier!



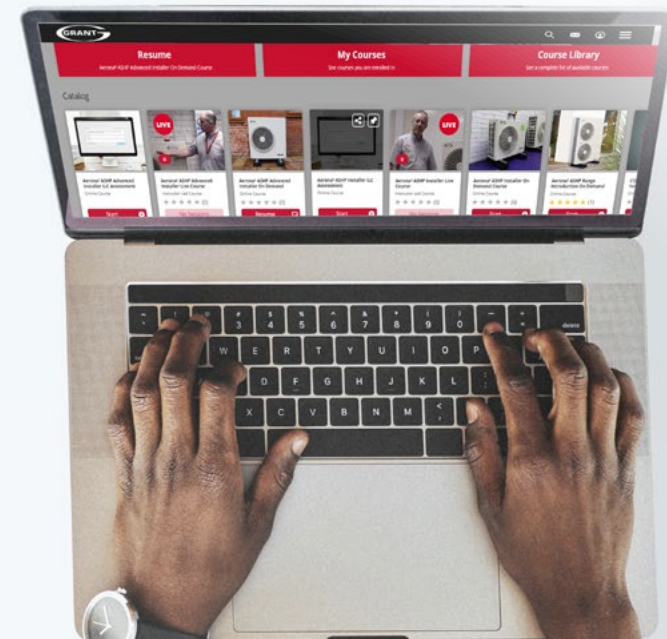
Simply register using the unique enrolment key below



Access on-demand training at any time or enrol on to a real time instructor led course



Complete a course and automatically receive a certificate as evidence of your training



www.grantelearning.com
ENROLMENT KEY: GUKPRS0820

WMB12/16LN

Ecoflam MAX1 LN Burner



Suitable for:
Vortex Eco Wallhung 12-16kW (Low NOx)

WMB16/21LN

Ecoflam Max 1 LN Burner



Suitable for:
Vortex Eco Wallhung 16-21kW (Low NOx)

WMB12/16

Ecoflam MAX1 Burner



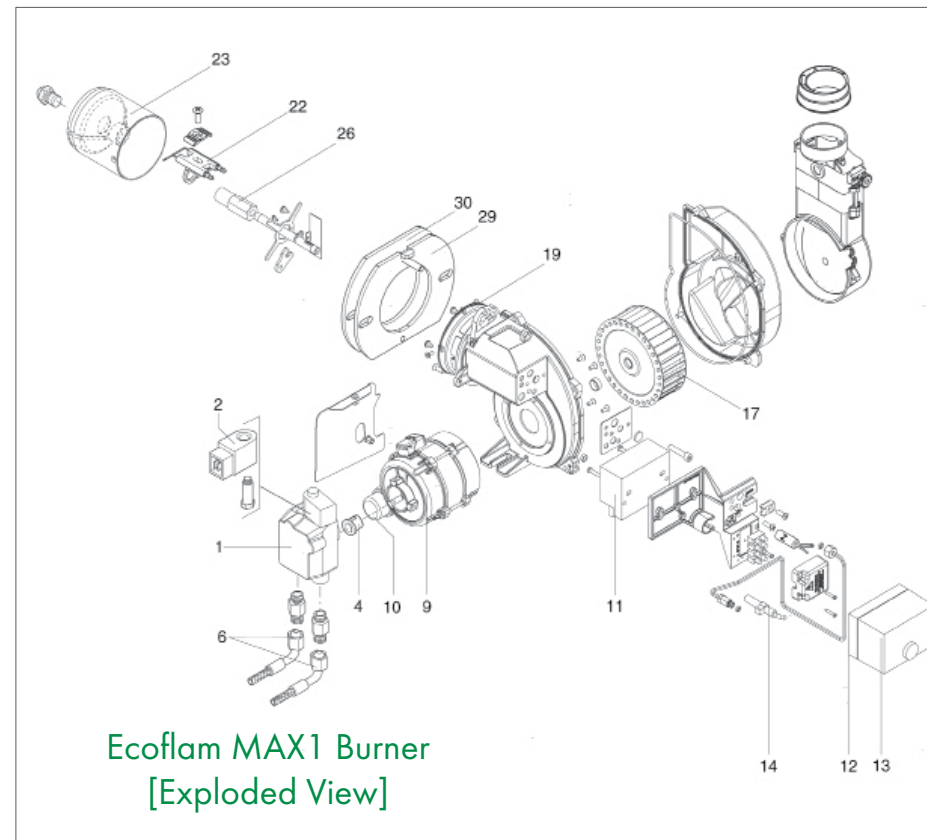
Suitable for:
Vortex Eco Wallhung 12-16kW

WMB16/21

Ecoflam MAX1 Burner



Suitable for:
Vortex Eco Wallhung 16-21kW



WBS09F

4 Pin plug FEMALE



Suitable for:
Vortex Eco Wall hung 12-21kW

WBS09M

4 Pin plug MALE



Suitable for:
Vortex Eco Wall hung 12-21kW

EBS01
Oil Pump
NOTE: Includes coil

Diagram Index: 1

EBS02
Coil


Diagram Index: 2

EBS65326747
Motor

Diagram Index: 9

EBS10
3uF Capacitor

Diagram Index: 10

EBS03
Oil Valve

Diagram Index: 3

EBS04
Drive Coupling

Diagram Index: 4

EBS37
5uF Capacitor


Diagram Index: 10

EBS38
4uF Capacitor

Diagram Index: 10

EBS05
Nipple

Diagram Index: 5

EBS06
Oil Line

Diagram Index: 6

EBS43
Continuous Operation Transformer

Diagram Index: 11

EBS12
Control Base Box

Diagram Index: 12

EBS13

Control Box



Diagram Index: 13

EBS14

Photocell



Diagram Index: 14

EBS21 /X

HT Lead (to be used with EB543)



Diagram Index: 21

EBS22

Electrodes



Diagram Index: 22

EBS17

Fan



Diagram Index: 17

EBS19

Combustion Head O-Ring



Diagram Index: 19

EBS23

Combustion Head



Diagram Index: 23

EBS26

Nozzle Holder



Diagram Index: 26

EBS20

Cover Air Inlet

Suitable for:
Vortex Eco Wallhung 12-16kW

EBS20A

Cover Air Inlet

Suitable for:
Vortex Eco Wallhung 16-21kW

EBS29

Flange

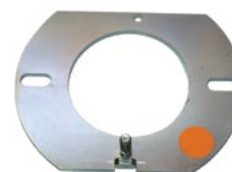


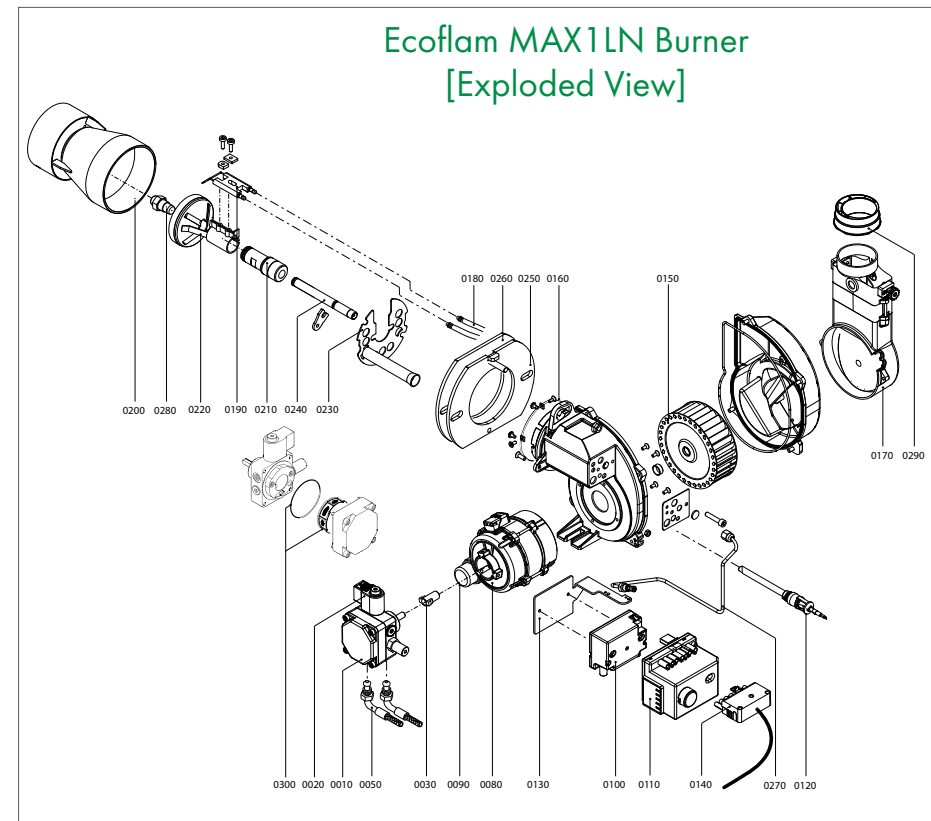
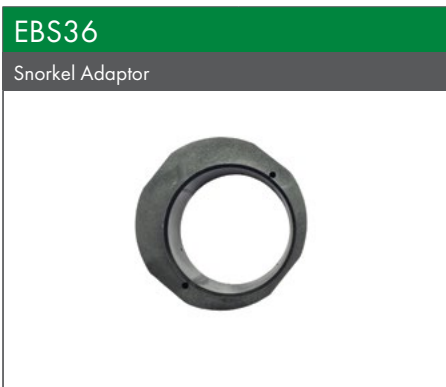
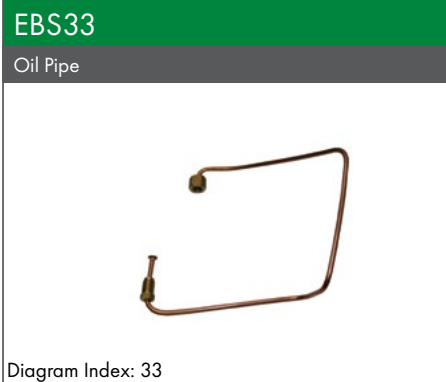
Diagram Index: 29

EBS30

Gasket



Diagram Index: 30



EBS65327488
Burner gauge



Suitable for: VTXWH12/16

EBS65327489
Burner gauge



Suitable for: VTXWH16/21

EBS65327402
Hoses (NW 4x700)



Diagram Index: 50

EBS65327403
Control Box with cables



Diagram Index: 110

EBS65325684
Set Filter + seal



Diagram Index: 300

EBS65326747
Motor



Diagram Index: 80

EBS65327404
Photocell



Diagram Index: 120

EBS65327405
Support Bracket



Diagram Index: 130

EBS65327293
Coil



Diagram Index: 20

EBS65327306
Electrodes (pack of 2)




Diagram Index: 190

EBS65327406
Plug



Diagram Index: 140

EBS65327407
Cover Air Inlet



Diagram Index: 170

EBS65327408

Blast Tube (WH12/16)



Diagram Index: 200

EBS65327409

Blast Tube (WH16/21)



Diagram Index: 200

EBS65327414

Rod



Diagram Index: 240

EBS65327415

Oil Pipe



Diagram Index: 270

EBS65327410

Nozzle Holder



Diagram Index: 210

EBS65327411

Diffuser (WH12/16)



Diagram Index: 220

EBS13011117

4uf Capacitor



Diagram Index: 90

EBS43

Continuous Operation Transformer



Diagram Index: 100

EBS65327412

Diffuser (WH16/21)



Diagram Index: 220

EBS65327413

Conveyor



Diagram Index: 230

EBS17

Fan (140x42)



Diagram Index: 150

EBS19

Combustion Head O-Ring



Diagram Index: 160

EBS21
HT Lead Low Nox Burner (For use with EBS43)



Diagram Index: 180

EBS29
Flange



Diagram Index: 250

EBS30
Gasket




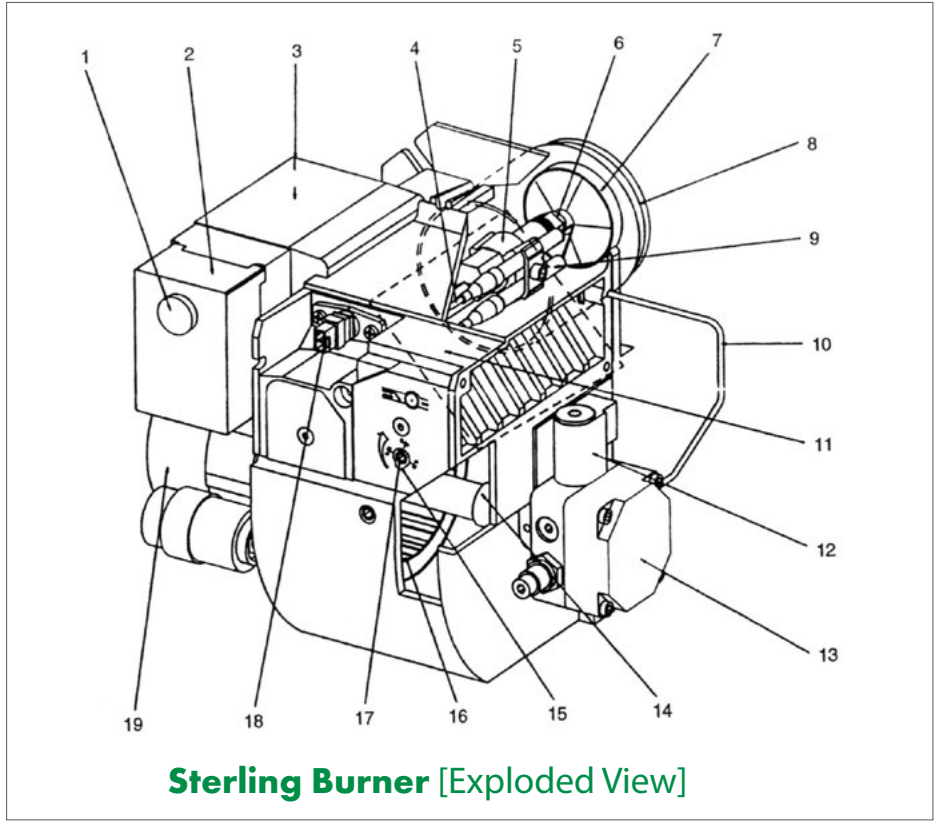
Diagram Index: 260

EBS36
Snorkel Adaptor



Diagram Index: 290

EBS65322033
Lead for transformer

SBS01
Control Box



Diagram Index: 1

SBS02
Photocell



Diagram Index: 18

SBS03

Pump BFP11L3



Diagram Index: 13

SBS50

Pump BFP21L3



Diagram Index: 13

SBS08

Gasket One Bolt Fixing



SBS09

Flange



SBS51

Pump BFP21R3



Diagram Index: 13

SBS04

Solenoid Coil 240V

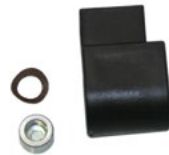


Diagram Index: 12

SBS17

Burner Flange Gasket



SBS10

Fixing Screw



SBS05

Motor 125W



Diagram Index: 19

SBS07

1000mm Flexi Oil Line



SBS11

Ignition Transformer



Diagram Index: 3

SBS12

Drive Coupling



Diagram Index: 14

SBS13

KA Diffuser Plate



Diagram Index: 7

SBS14

K - Blast Tube 140/160



Diagram Index: 8

SBS26

Electrode Assembly x2



Diagram Index: 9

SBS28

Electrode Leads



Diagram Index: 4

SBS15

C-K Blast Tube 160/200



Diagram Index: 8

SBS16

Base & Cable Plate



Diagram Index: 2

SBS39

Gasket



SBS40

Capacitor



Diagram Index: 21

SBS22

Fan Impellar



SBS25

Supply Tube



Diagram Index: 10

MPBS 12

Complete Baffle Set



Suitable for:
Multipass 50/70

MPBS 12X

Bottom Baffle Set



Suitable for:
Multipass 50/70

MPBS 15X

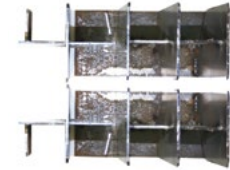
Bottom Baffle Set



Suitable for:
Multipass 90/140 & 110/140

MPBS27

Complete Baffle Set



Suitable for:
Multipass 160/200

MPBS 13

Complete Baffle Set



Suitable for:
Combi 90 MKII
Multipass 70/90

MPBS 13X

Bottom Baffle Set



Suitable for:
Combi 90 MKII
Multipass 70/90

MPBS28

Complete Baffle Set



Suitable for:
Multipass 140/160

EFBS30

Complete Baffle Set



Suitable for:
Combi 70 MKII
Combi 70 V3
Euroflame 50/70

MPBS 14

Complete Baffle Set



Suitable for:
Multipass 90/110

MPBS 15

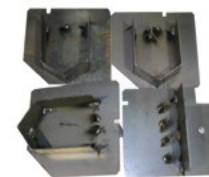
Complete Baffle Set



Suitable for:
Multipass 90/140 & 110/140

EFBS09

Complete Baffle Set (295mm square top)



Suitable for:
Euroflame 50/90 & 70/90 (post 1994)

EFBS49

Complete Baffle Set



Suitable for:
Euroflame 90/120

MPCBS51

Complete Baffle Set

Suitable for:
Combi 90 V3

MPCBS51X

Bottom Baffle Set

Suitable for:
Combi 90 V3

VBS01

Complete Baffle Set

Suitable for:
Vortex Pro Combi 26kW
Vortex Pro 15-26kW

VBS11

Bottom Baffle Set

Suitable for:
Vortex Pro Combi 26kW
Vortex Pro 15-26kW

MPCBS52

Complete Baffle Set

Suitable for:
Combi Max

MPCBS52X

Bottom Baffle Set

Suitable for:
Combi Max

VBS36

Complete Baffle Set

Suitable for:
Vortex Pro Combi 36kW
Vortex Pro 26-46kW
Vortex Boiler House 36-46kW

VBS10

Bottom Baffle Set

Suitable for:
Vortex Pro Combi 36kW
Vortex Pro 26-46kW

VBS93

Complete Baffle Set

Suitable for:
Vortex Pro Combi 21kW
Vortex Pro 15-21kW

VBS93B

Bottom Baffle

Suitable for:
Vortex Pro Combi 21kW
Vortex Pro 15-21kW

VBS76

Complete Baffle Set

Suitable for:
Vortex Pro 46-58kW
Vortex Boiler House 46-58kW

VBS77

Bottom Baffle Set

Suitable for:
Vortex Pro 58-70kW
Vortex Boiler House 58-70kW

VBS96
Complete Baffle Set



Suitable for:
Vortex Eco 15-26kW
Vortex Boiler House 15-26kW

VBS96A
Base Baffle



Suitable for:
Vortex Eco 15-26kW

VBS137A
Complete Baffle Set



Image coming soon

Suitable for:
Vortex Combi 26 XS
Vortex Air 21-26

VBS05
Turbulator (360mm)



Suitable for:	Qty in each boiler:
Vortex Combi 21, Pro 15-21	16
Vortex Combi 26, Pro 15-26	22
Vortex Combi 36, Pro 26-46	33
Vortex Eco 15-26	11
Vortex Eco 26-35	22

VBS97
Complete Baffle Set



Suitable for:
Vortex Eco 26-35kW
Vortex Boiler House 26-35kW

WBS03
Complete Baffle Set



Suitable for:
Vortex Eco Wallhung 12-21kW

VBS03
Turbulator (476mm)



Suitable for:	Qty in each boiler:
Vortex Pro 46-70	52
Vortex Boiler House 46-70	52

WBS01
Turbulator




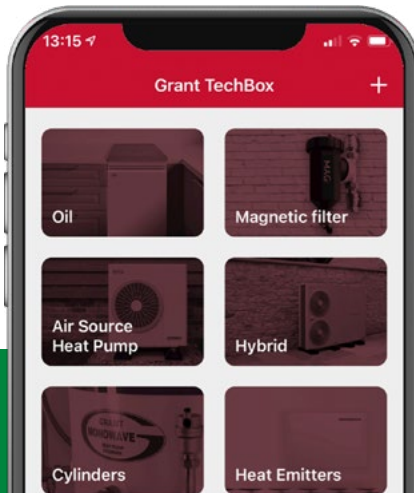
Suitable for:	Qty in each boiler:
Vortex Eco Wall hung 12-21	24

WBS03A
Base Baffle



Suitable for:
Vortex Eco Wallhung 12-21kW

Download on the App Store
GET IT ON Google Play

Grant TechBox

- Oil
- Magnetic filter
- Air Source Heat Pump
- Hybrid
- Cylinders
- Heat Emitters

EFBS18
Access/ Combustion Door, rope seal included (H162 x W318mm)



Suitable for:
Euroflame 50/90, 70/90 & 90/120 (pre Nov 2003)

EFBS18X
Access/ Combustion Door (H150 x W240mm)



Suitable for:
Combi 70 MKII (pre Nov 2003)
Combi 70 V3 (pre Nov 2003)
Euroflame 50/70 rope seal included (pre Nov 2003)

EFBS20

Access/ Combustion Door, rope seal included
(H160 x W341mm) Hole centre - 340mm



Suitable for:
Euroflame 50/90, 70/90 & 90/120
(post Nov 2003)

EFBS20X

Access/ Combustion Door (H150 x W260mm)
Hole centre - 240mm



Suitable for:
Combi 70 MKII (post Nov 2003)
Combi 70 v3 (post Nov 2003)
Euroflame 50/70 rope seal included (post Nov 2003)

MPCBS110A

Access/ Combustion Door



Suitable for:
Vortex Pro Combi 26kW (Dec 2014 - July 2017)

MPCBS110

Access/ Combustion Door



Suitable for:
Vortex Pro Combi 26kW (pre Dec 2014)

MPBS16

Access/ Combustion Door



Suitable for:
Combi 90 MKII
Combi 90 V3
Multipass 50/70, 50/90 & 70/90

MPBS17

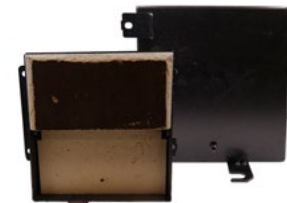
Access/ Combustion Door



Suitable for:
Multipass 90/110 & 90/140

MPCBS110B

Access/ Combustion Door c/w vessel bracket



Suitable for:
Vortex Pro Combi 26kW (post July 2017)

VBS69ZA

Access/ Combustion Door Vessel Bracket



Suitable for:
Vortex Pro Combi 36kW (Dec 2014 - July 2017)

MPBS17L

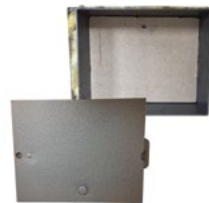
Access/ Combustion Door



Suitable for:
Multipass 140/200

MPCBS111A

Access/ Combustion Door



Suitable for:
Vortex Pro Combi 21kW

VBS69Z

Access/ Combustion Door



Suitable for:
Vortex Pro Combi 36kW

VBS92

Access/ Combustion Door



Suitable for:
Vortex Boiler House 15-26kW
Vortex Eco 15-21kW & 21-26kW

VBS69WHT

Access/ Combustion Door

Image
coming soon

Suitable for:
Vortex Pro 15-26kW
Vortex Eco 26-35kW
Vortex Boiler House 26-35kW

VBS69X

Access/ Combustion Door



Suitable for:
Vortex Pro 26-46kW
Vortex Boiler House 36-46kW

TPBS24

Access/ Combustion Door Rope Gasket



Suitable for:
Multipass 140/200

VBS15

Access/ Combustion Door Rope Gasket



Suitable for:
Vortex Pro Combi 26kW
Vortex Pro 15-26kW
Vortex Eco 15-26kW

VBS04

Access/ Combustion Door



Suitable for:
Vortex Pro 46-70kW
Vortex Boiler House 46-70kW

WBS04

Access/ Combustion Door



Suitable for:
Vortex Eco Wallhung 12-21kW

VBS15X

Access/ Combustion Door Rope Gasket



Suitable for:
Vortex Pro Combi XS
Vortex Pro 15-21kW
Vortex Eco 15-21kW

VBS16

Access/ Combustion Door Rope Gasket



Suitable for:
Vortex Pro Combi 36kW
Vortex Pro 26-46kW
Vortex Eco 26-35kW

MPCBS127

Access/ Combustion Door (H225 x W98mm)

Image
coming soon

Suitable for:
Vortex XS Combi
Vortex Air 21-26kW

TPBS23L

Access/ Combustion Door Rope Gasket



Suitable for:
Combi 90 MKII
Combi 90 V3
Multipass 50/90 & 90/140

VBS111

Access/ Combustion Door Rope Gasket



Suitable for:
Vortex Pro 46-70kW

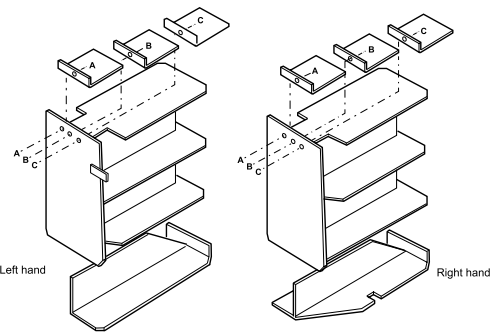
WBS05

Access/ Combustion Door Rope Gasket

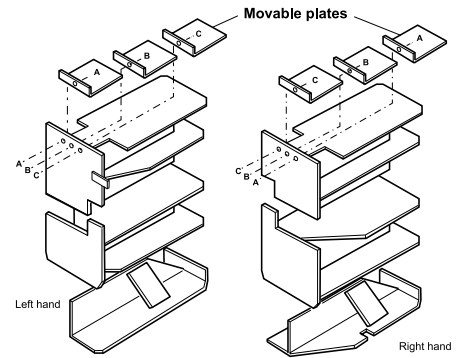


Suitable for:
Vortex Eco Wallhung 12-21kW

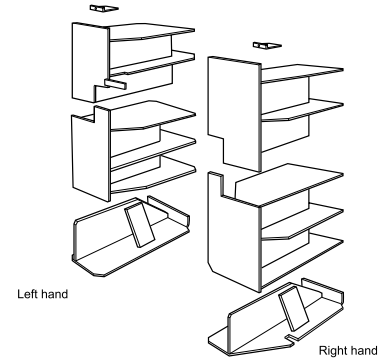
Multi Pass 50/70 Baffle System



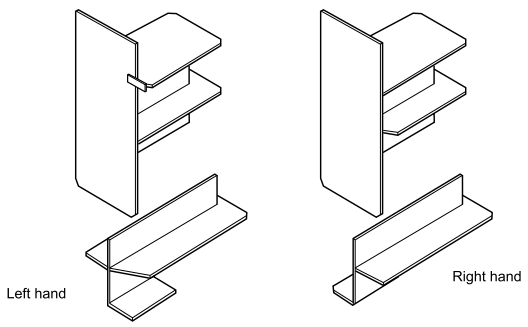
Multi Pass 70/90 Baffle System



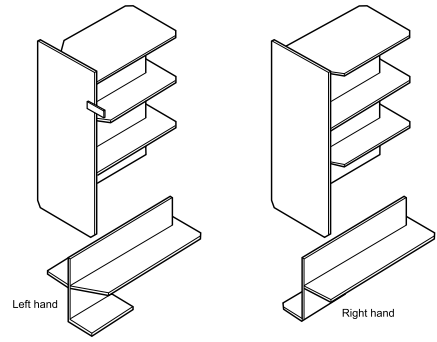
Multi Pass 90/140 & 110/140 Baffle System



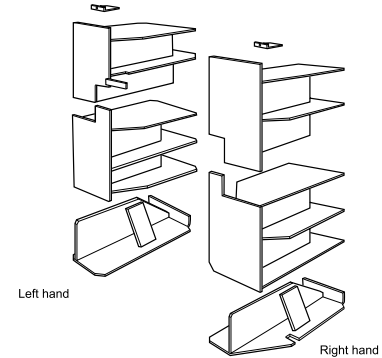
Multi Pass 140/160 Baffle System



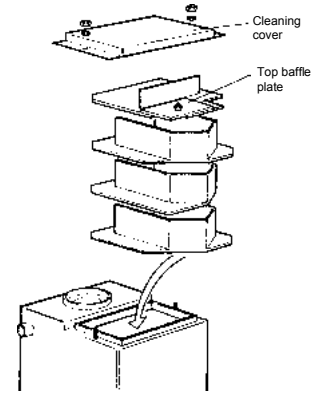
Multi Pass 160/200 Baffle System



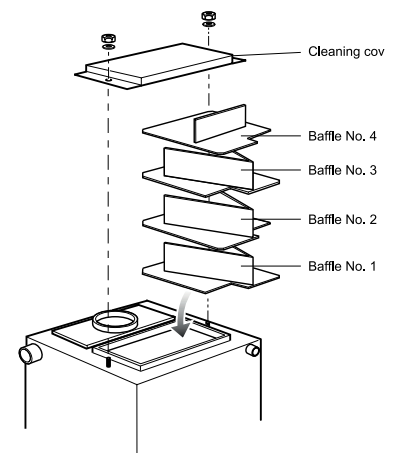
Multi Pass 90/110 Baffle System



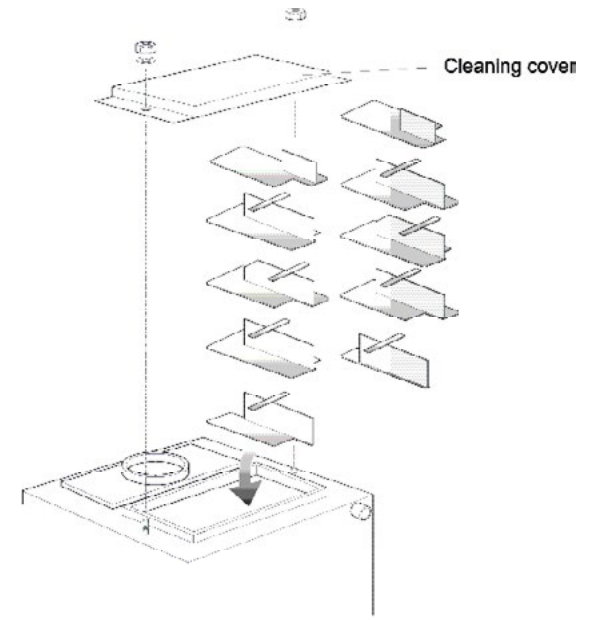
Euroflame 50/90 & 70/90 Baffle System

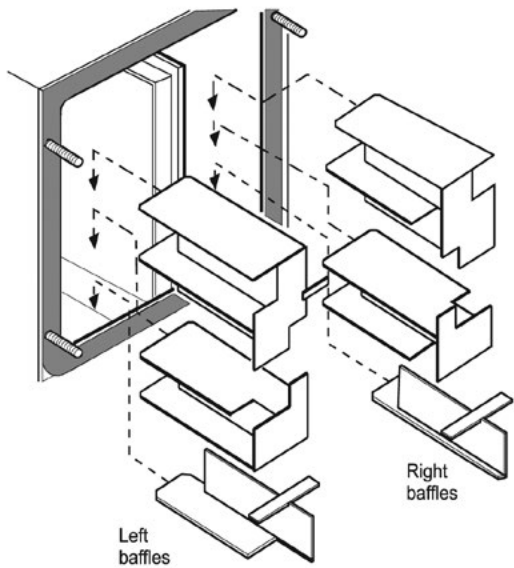


Euroflame 50/70 & Combi 70 Baffle System

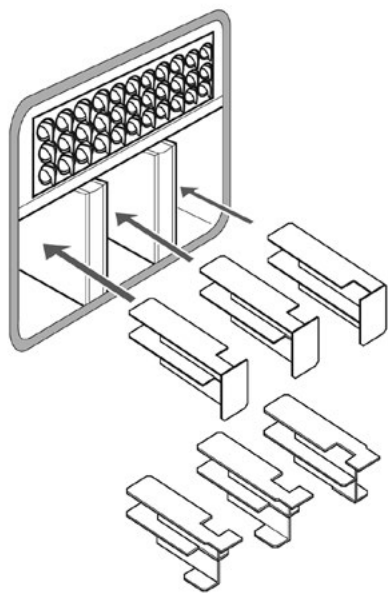


Euroflame 90/120 Baffle System





VTXCOMBI26
Baffle System



VTXCOMBI36
Baffle System

VBS159

Wilo Para SC Pump (7m) (cable not included)



Suitable for:
All Vortex models

VBS126A

White HE HW Pump Cable with plug (1100mm)



Suitable for:
All Vortex models

VBS126B

Black HE Heat Only Pump Cable with plug (800mm)



Suitable for:
All Vortex models

VBS126CH

Wilo 7m pump c/w black heat only cable + plug (800mm)



Suitable for:
All Vortex models

VBS126DHW

Wilo 7m pump c/w white hot water cable + plug (1100mm)



Suitable for:
All Vortex models

GRANT REGIONAL TRAINING CENTRES

FIND YOUR LOCAL CENTRE FOR GRANT HEAT PUMP TRAINING



- GRANT TRAINING ACADEMY - SWINDON, WILTSHIRE
- INVERNESS
- LIVINGSTON, WEST LoTHIAN
- HAWES, NORTH YORKSHIRE
- STAFFORD, STAFFORDSHIRE
- NORWICH, NORFOLK
- BASILDON, ESSEX
- GREEN SKILLS ACADEMY, COLEG SIR GAR GELLI AUR, CARMARTHENSHIRE
- CARDIFF



ALL ENQUIRIES FOR GRANT PRODUCT TRAINING AT ANY CENTRE MUST BE MADE THROUGH THE GRANT TRAINING ACADEMY, SWINDON.

SCAN THE QR CODE FOR CONTACT DETAILS AND TO VIEW OUR UPCOMING COURSE DATES.

FOR TRAINING ON ANY OTHER GRANT PRODUCTS, PLEASE CONTACT THE GRANT TRAINING ACADEMY

MPCBS104

Control Panel (including top cover plate)



Suitable for:
Vortex Pro Combi Internal 21-26kW (pre 24.10.14)

MPCBS104X

Control Panel (including top cover plate)



Suitable for:
Vortex Pro Combi Internal 36kW (pre 24.10.14)

MPCBS105

Control Panel (including top cover plate)



Suitable for:
Vortex Pro Combi External (all models pre 01.11.16)

MPCBS105N

Control Panel (including top cover plate)



Suitable for:
Vortex Pro Combi External (all models post 01.11.16)

MPCBS114

Control Panel (including top cover plate)



Suitable for:
Vortex Pro Combi Internal
(all models from 24.10.14 - 01.11.16)

MPCBS114N

Control Panel (including top cover plate)



Suitable for:
Vortex Pro Combi Internal (all models post 01.11.16)

MPCBS106

Control Panel



Suitable for:
Vortex Eco External wall hung non-system

MPCBS106X

Control Panel



Suitable for:
Vortex Eco External wall hung system

MPCBS54E

Temperature Control PCB (with sensor)



Suitable for:
Vortex Pro Combi (post Sept 2008)
Vortex Blue (All models)

MPCBS54X

Temperature Control PCB (with sensor)



Suitable for:
Combi V3
Vortex Pro Combi (pre Sept 2008)

MPCBS108

Control Panel



Suitable for:
Vortex Eco Internal wall hung non-system

MPCBS108X

Control Panel



Suitable for:
Vortex Eco Internal wall hung system

MPCBS96

Temperature Control PCB (no sensor)



Suitable for:
Vortex Pro Combi (post Sept 2008)

MPCBS97X

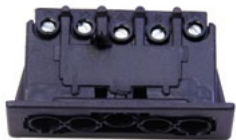
Temperature Control PCB (no sensor)



Suitable for:
Combi V3
Vortex Pro Combi (pre Sept 2008)

MPCBS105A

Control Panel Male 5 Pin Plug



Suitable for:
Vortex Pro Combi External

MPCBS105B

Control Panel Female 5 Pin Plug



Suitable for:
Vortex Pro Combi External

MPCBS98

Direct H/W Sensor for PCB (White)



Suitable for:
Vortex Pro Combi (post Sept 2008)

MPCBS97

Central Heating Sensor for PCB (Black)



Suitable for:
Combi V3
Vortex Pro Combi (post Sept 2008)

TPBS30

Temperature Control Knob



Suitable for:
All Models (pre Sept 2015)

MPCBS72

Relay (clear/grey)



Suitable for:
Vortex Pro Combi (pre Sept 2008)

MPCBS46

Overheat Cut-Out Thermostat Neon (red)



Suitable for:
Vortex Pro Internal
Vortex Pro Combi
Vortex Eco Wallhung
Combi MKII
Combi V3

EFBS25

Low Pressure Neon (amber)



Suitable for:
Euroflame
Combi V3

MPCBS72B

Relay Base (grey relay)



Suitable for:
Vortex Pro Combi (pre Sept 2008)

MPCBS75

Relay Base (orange relay)



Suitable for:
Vortex Pro Combi External (pre Sept 2008)

MPCBS75X

Relay (orange)



Suitable for:
Vortex Pro Combi External (pre Sept 2008)

MPCBS45

Boiler On Neon (green)



Suitable for:
Combi MKII
Vortex Pro Internal

EFBS19

On/Off Double Pole Switch (neon, 4 terminal)



Suitable for:
 Vortex Pro
 Vortex Pro Combi
 Vortex Eco
 Vortex Eco Wallhung

Combi MKII
 Combi V3
 Euroflame
 Multipass

EFBS21

Boiler On/Off Switch/ Test switch



Suitable for:
 (on/off switch)
 Combi MKII
 Combi V3
 Euroflame
 Multipass

(test switch)
 Vortex Pro External
 Vortex Eco External

MPCBS84

Heating Store Twin Switch



Suitable for:
 Vortex Pro Combi Internal (pre Sept 2008)

MPCBS99

Timed Test Switch



Suitable for:
 Vortex Pro Combi

EFBS22

Heating/ Rocker Switch (W24 x H32 mm)



Suitable for:
 Combi MKII
 Combi V3
 Euroflame

EFBS22X

Heating/ Rocker Switch (W15 x H31 mm)



Suitable for:
 Combi MKII
 Euroflame

MPCBS41

Microswitch Assembly



Suitable for:
 Combi MKII
 Combi V3

MPCBS49X/A

Single Pole Low Pressure Switch



Suitable for:
 Combi V3
 Vortex Pro Combi

EFBS80

Test Switch (4 terminal)



Suitable for:
 Combi V3

MPCBS67

Heating/ Store Switch



Suitable for:
 Vortex Pro Combi (post Sept 2008)

MPCBS62/A

Low Pressure Switch Upgrade Kit



Suitable for:
 Vortex Pro Internal
 Vortex Eco Internal
 Vortex Eco Wallhung Internal

MPCBS63/A

Low Pressure Switch Upgrade Kit



Suitable for:
 Vortex Pro External
 Vortex Eco External
 Vortex Eco Wallhung External

MPCBS71 NT

Flow Switch



Suitable for:
Vortex Pro Combi 36kW (pre 15.05.08)

MPCBS71 X

Flow Switch



Suitable for:
Vortex Pro Combi 21-26kW
Vortex Pro Combi 36kW (post 15.05.08)

WBS07

8 Litre Expansion Vessel



Suitable for:
Vortex Eco Wallhung System

MPCBS27

10 Litre Expansion Vessel



Suitable for:
Euroflame Internal 50/70 & 70/90
Euroflame External
Vortex Pro System 15-21kW
Vortex Pro System 15-26kW (pre 12/08/08)

MPSS08

10 Litre Expansion Vessel (flat)



Suitable for:
Vortex Pro Combi 21kW (pre Dec 2014)

MPSS01

12 Litre Expansion Vessel



Suitable for:
Euroflame Internal 50/90 & 90/120
Multipass 50/70, 70/90 & 90/140
Vortex Pro Combi 26kW (pre Dec 2014)
Combi MKII, Combi V3
Vortex Pro 15-26kW System (post 12/08/08)
Vortex Eco

VBS06

12 Litre Expansion Vessel (flat)



Suitable for:
Vortex Pro System 26-36kW

MPCBS70

14 Litre Expansion Vessel



Suitable for:
Vortex Pro Combi 36kW (pre Dec 2014)

VBS38
16 Litre Expansion Vessel



Suitable for:
Vortex Pro System 36-46kW

VBS124
24 Litre Expansion Vessel



Suitable for:
Multipass 140/160, 160/200
Vortex Pro Combi (post Dec 2014)

VBSWINK16
16 Litre Expansion Vessel



Suitable for:
Vortex Pro System 36-46kW
Vortex Pro External system kit 26-46kW

MPCBSWINK24
24 Litre Expansion Vessel



Suitable for:
Vortex Pro Combi (post Dec 2014)

WBSWINK8
8 Litre Expansion Vessel



Suitable for:
Vortex Eco Wallhung System

VBSWINK10
10 Litre Expansion Vessel



Suitable for:
Vortex Pro External system kit 15-21kW

VBS/UNI
12 Litre Slimline Universal Expansion Vessel (no bracket)



VBS/VWB
Expansion vessel fixing bar kit



VBSWINK12H
12 Litre Expansion Vessel (c/w bracket)



Suitable for:
Vortex Pro 15-26kW
Vortex Eco External sealed system kit 15-35kW
Vortex Eco system 15-35

VBSWINK12E
12 Litre Expansion Vessel (390mm dia)



Suitable for:
Vortex Pro System 26-36kW

VBS/VWB25
25 litre Expansion Vessel with wall bracket & fittings



For extra system expansion

VBS/VWB18
18 litre Expansion Vessel with wall bracket & fittings



For extra system expansion

VBS/VWB 12
12 litre Expansion Vessel with wall bracket & fittings



For extra system expansion

Expansion Vessel Fixing Bar Kit


The perfect hanging solution for expansion vessels up to 25 litres.

The Grant expansion vessel fixing bar kit comes complete with expansion vessel service valve, manual air vent, 3 bar PRV and wall fixing back plate.

- Includes expansion vessel service valve
- Unique assembly
- Ideal when space is limited
- Robust construction
- Easy to install
- Suitable for vessels from 2 to 25 litres (depending on wall and wall fixings)
- For central heating systems only
- Available in packs complete with expansion vessel




MPCBS24
Water Pressure Gauge



Suitable for:
Combi MKII Internal
Combi V3
Euroflame System
Multipass Internal

MPSS02
Water Pressure Gauge



Suitable for:
Combi MKII External
Multipass External
Vortex Pro External
Vortex Eco Sealed System Kit

VBS08
Water Pressure Gauge



Suitable for:
Vortex Pro Internal
Vortex Pro Combi
Vortex Eco Wallhung

VBS13
Pressure Gauge & Valve



Suitable for:
Vortex Eco Sealed System Kit

VBS09
Temperature & Pressure Gauge



Suitable for:
All Vortex models

MPSS07
Pressure Gauge (with T-Piece)



Suitable for:
MPSSKIT90/ 140/ 200

MPCBS30

Filling Loop Kit with valves



Suitable for:
Combi MKII Euroflame
Combi V3 Multipass
Vortex Pro Combi Vortex Wall hung

VBS35

Filling Loop Kit with valves



Suitable for:
Vortex Pro

VBS125

Expansion Vessel Flexi Hose



Suitable for:
Vortex Pro Combi (post Dec 2014)

VBS95

Expansion Vessel Flexi Hose



Suitable for:
Vortex Pro External 15-21kW
Vortex Pro Combi 21kW (pre Dec 2014)

VBS35X

Filling Loop Kit with valves



Suitable for:
Vortex Eco Sealed System Kit

MPCBS31

Expansion Vessel Flexi Hose



Suitable for:
Combi MKII
Multipass Sealed System Kit
Euroflame Sealed System Kit

WBS08

Expansion Vessel Flexi Hose



Suitable for:
Vortex Eco Wallhung

VBS107

Flexi Condensate Hose



Suitable for:
Vortex Pro Internal 15/26, 26/36 & 36/46
Vortex Pro Combi Internal (pre Dec 2014)
Vortex Eco Internal

MPSS04

Expansion Vessel Flexi Hose



Suitable for:
Multipass

MPCBS79

Expansion Vessel Flexi Hose



Suitable for:
Vortex Pro Combi 26-36kW (pre Dec 2014)
Vortex Pro (all models excluding 15-21 kW)
Vortex Eco
Combi V3

VBS108

Flexi Condensate Hose



Suitable for:
Vortex Pro Internal 46-70kW

VBS109

Flexi Condensate Hose



Suitable for:
Vortex Pro External
Vortex Pro Combi External
Vortex Eco External
Vortex Boiler House

VBS110
Flexi Condensate Hose




Suitable for:
Vortex Pro Internal 15-21kW

VBS127
Flexi Condensate Hose



Suitable for:
Vortex Pro Combi Internal (post Dec 2104)

DSBH



Suitable for:
Euroflame Boilerhouse
Multipass Boilerhouse

DSBH03LC
Dual Thermostat



Suitable for:
All Vortex boilerhouse models (Pre Sept 15)

EFBS10
Thermostat Pocket



Suitable for:
Combi MKII
Multipass
Vortex Eco Wallhung

Combi V3
Vortex Pro
Vortex Pro Combi

EFBS23
Frost Stat



Suitable for:
All External models

MPCBS25
Primary Store Thermostat



Suitable for:
Combi MKII

TPBS33
High Limit Thermostat



Suitable for:
All standard efficiency boilers (non-condensing)

TPBS34

Boiler (Heating) Thermostat



Suitable for:
All standard efficiency boilers (non-condensing)

VBS145

Dual Stat (450mm capillary)



Suitable for:
All Vortex boilerhouse models (Post Sept 15)

VBS02

Condensate Trap



Suitable for:
All Vortex models

MPCBS100

Isolation Valve (28mm)



Suitable for:
Vortex Pro Combi 36kW

VBS146

Control Thermostat 50-75°C



Suitable for:
All Vortex models

VBS147

High Limit Thermostat 110°C *(manual reset SBSC)



Suitable for:
All Vortex models

MPCBS101

Isolation Valve (22mm)



Suitable for:
Combi V3
Vortex Pro Combi 21-26kW

MPCBS109

Isolation Valve



Suitable for:
Combi MKII

MPCBS76A

Filling Loop Heating Isolation Valve (short)



Suitable for:
Combi MKII
Combi V3
Vortex Pro Combi

MPCBS76

Filling Loop Heating Isolation Valve (long)

(Cold water inlet)



Suitable for:
Combi MKII
Combi V3
Vortex Pro Combi

MPCBS69

Pump Valve Pair (22mm)



Suitable for:
Euroflame
Multipass
Vortex Pro
Vortex Pro Combi 21 -26kW

MPCBS77

Pump Isolation Valve (22mm)



Suitable for:
Combi V3
Vortex Pro Combi 21 -26kW

MPCBS26

Non-Return Check Valve (22mm)



Suitable for:
Combi MKII
Combi V3
Vortex Pro Combi 21 -26kW (pre April 2011)

MPCBS81

Non-Return Check Valve (28mm)



Suitable for:
Vortex Pro Combi 36kW (pre April 2011)

MPCBS64

Pump Valve Pair (28mm)



Suitable for:
Euroflame
Multipass
Vortex Pro
Vortex Pro Combi 36kW

MPCBS78

Pump Isolation Valve (28mm)



Suitable for:
Vortex Pro Combi 36kW

MPCBS81 B

Non-Return Check Valve (28mm)



Suitable for:
Vortex Pro Combi (post April 2011)

MPCBS22F

51°C Thermostatic Mixing Valve & Filter



Suitable for:
Combi MKII
Combi V3
Vortex Pro Combi

MPCBS20/A

Diverter Valve



Suitable for:
Combi MKII
Combi V3

MPCBS29

Automatic Air Vent



Suitable for:
All models

MPCBS28

2.5 bar Pressure Relief Valve



Suitable for:
Combi MKII Internal
Euroflame Internal
Multipass System

MPCBS47

2.5 bar Pressure Relief Valve



Suitable for:
Combi MKII External
Euroflame External

MPCBS123

3 bar Pressure Relief Valve (2 port)



Suitable for:
Combi V3 External
Vortex Pro External
Vortex Eco

MPCBS124X

3 bar Pressure Relief Valve (with pressure gauge port)



Suitable for:
Combi V3 Internal
Vortex Pro Combi (internal & external)
Vortex Pro Internal
Vortex Eco Wallhung

VBS157

Iron T



Suitable for:
All Combi Boilers

VBS62M

Manual Air Vent Kit (28mm)



Suitable for:
Vortex Pro 26-46kW

MPBS21

Drain Cock 1/2" BSP



Suitable for:
Vortex Pro

MPCBS68

Manual Air Vent 3/8"



Suitable for:
Vortex Pro Combi

VBS61M

Manual Air Vent Kit (22mm)



Suitable for:
Vortex Pro 15-26kW
Vortex Eco

FKS60

EZ Flue Guard (stainless steel)



Suitable for:
EZ90/200 low level flues

FKS60B

EZ Flue Guard (black)



Suitable for:
EZ90/200 low level flues

FKS70

Flue Guard



Suitable for:
Vortex external models

FKS3402541

EZ Flue Guard



Suitable for:
HLK01/02 high level flues

MPCBS21 /A

15 Plate Heat Exchanger



Suitable for:
Combi MKII

MPCBS53/A

35 Plate Heat Exchanger



Suitable for:
Combi V3
Vortex Pro Combi

MPCBS33/A

Diaphragm Kit



Suitable for:
Combi MKII
Combi V3

MPCBS39

Flow Restrictor



Suitable for:
All Combi models

MPCBS122/A

Metal Top Hat Washer Set



Suitable for:
All models

MPCBS35

Microswitch Circlip (for diverter valve)



Suitable for:
Combi MKII
Combi V3

FKS92

Black Neoprene Gasket Flue Spigot



Suitable for:
 Vortex Pro
 Vortex Eco 15-26kW
 Vortex Eco Wallhung 12-21kW
 Spira Wood Pellet Boilers

FKS94

Black Neoprene Gasket Flue Spigot



Suitable for:
 Vortex Pro 26-70kW
 Vortex Eco External 26-35kW

FKS55

Black Flue Seal



Suitable for:
 High level/ vertical balanced flue up to 26kW

FKS56

Black Flue Seal



Suitable for:
 High level/ vertical balanced flue 26-70kW

FKS94A

Black Neoprene Gasket Flue Spigot



Suitable for:
 Vortex Eco Internal 26-35kW

EFBS14

Nut & Washer Set (for cleaning door)



Suitable for:
 Combi MKII
 Combi V3
 Euroflame
 Multipass
 Vortex Pro Combi, Vortex Boiler House

FKS61

Red Flue Seal



Suitable for:
 Low level balanced flue up to 26kW

FKS62

Black Flue Seal



Suitable for:
 Low level balanced flue up to 26kW

FKS53

Red Flue Seal



Suitable for:
 High level/ vertical balanced flue up to 26kW

FKS54

Red Flue Seal



Suitable for:
 High level/ vertical balanced flue 26-70kW

FKS63

Red Flue Seal



Suitable for:
 Low level balanced flue 26-70kW

FKS64

Black Flue Seal



Suitable for:
 Low level balanced flue 26-70kW

MPBS23

Magnetic Door Catch



Suitable for:
Vortex Wallhung

EFBS29X

Chrome Handle Assembly



Suitable for:
Euroflame External
Multipass External

FKS10

Base Pad



Suitable for:
Multipass, Euroflame

FKS10A

Base Pad



Suitable for:
All Vortex models

FKS24

Aluminium Flue Sealing Tape



Suitable for:
All models

FKS35

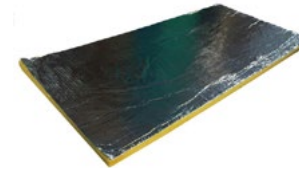
Snorkel Tube



Suitable for:
All Internal models

FKS89

Boiler Insulation Sheet (120cm x 60cm)



Suitable for:
All models

VBS17

High Temperature Silicone Sealant (black)



Suitable for:
All models

MPCBS35X

6.3A Fuses (for PCB) (5 pack)



Suitable for:
Combi V3
Vortex Pro Combi

VBS18

Cleaning Brush



Suitable for:
All Vortex models

TIGERLOOP2

Tigerloop Bio



Suitable for:
All all internal & external models

GOIL01

Oil Drip Tray c/w 5 ultra absorbent pads



GOIL02

Pack of 20 ultra absorbent pads (for oil trays)



PACK OF 20

GOIL06

Bio Filter Element & Seals (for 489 Filters)



Suitable for:
GOIL11, GOIL12

GOIL12

Reversible Bio Oil Filter 3/4 (complete with fittings)



GUNI002

10mm x 1/4" M I Straight fitting



GOIL08

Oil Isolation Valve (Straight) 10mm x 1/4"



GOIL09

Oil Isolation Valve (Straight) 10mm x 3/8"



GUNI003

10mm x 3/8" M I Straight fitting



BIO OIL LONG-LIFE HOSES
COMING SOON



Contact Sales for more detail

GOIL10

Oil Isolation Valve (Angle) 10mm x 1/4"



GOIL11

Reversible Bio Oil Filter 3/4 (complete with fittings)



Part No	Description
DEL5060W	DELAVAN 0.50 GPH 60°W
DEL5080W	DELAVAN 0.50 GPH 80°W
DEL5560W	DELAVAN 0.55 GPH 60°W
DEL5580W	DELAVAN 0.55 GPH 80°W
DEL6060W	DELAVAN 0.60 GPH 60°W
DEL6080W	DELAVAN 0.60 GPH 80°W
DEL6560W	DELAVAN 0.65 GPH 60°W
DEL6580W	DELAVAN 0.65 GPH 80°W
DEL7560W	DELAVAN 0.75 GPH 60°W
DEL8570W	DELAVAN 0.85 GPH 70°W
DEL10080W	DELAVAN 1.00 GPH 80°W
DEL11060W	DELAVAN 1.10 GPH 60°W
DEL11080W	DELAVAN 1.10 GPH 80°W
DEL12560W	DELAVAN 1.25 GPH 60°W
DEL13545W	DELAVAN 1.35 GPH 45°W
DEL13560W	DELAVAN 1.35 GPH 60°W
DEL15060W	DELAVAN 1.50 GPH 60°W
DEL17560W	DELAVAN 1.75 GPH 60°W
DEL20060W	DELAVAN 2.00 GPH 60°W
DEL22560W	DELAVAN 2.25 GPH 60°W
DEL25060W	DELAVAN 2.50 GPH 60°W
DEL45060W	DELAVAN 4.50 GPH 60°W
DEL8580W	DELAVAN 0.85 GPH 80°W
DEL7580W	DELAVAN 0.75 GPH 80°W
DEL10060W	DELAVAN 1.00 GPH 60°W
GN3580H	DANFOSS 0.35GAL/80H
GN3580S	DANFOSS 0.35GAL/80S
GN4060ES	DANFOSS 0.40GAL/60ES
GN4060S	DANFOSS 0.40GAL/60S
GN4080EH	DANFOSS 0.40GAL/80EH
GN4080ES	DANFOSS 0.40GAL/80ES
GN4080S	DANFOSS 0.40GAL/80S
GN4560ES	DANFOSS 0.45GAL/60ES
GN4580EH	DANFOSS 0.45GAL/80EH
GN4580ES	DANFOSS 0.45GAL/80ES
GN5060EH	DANFOSS 0.50GAL/60EH
GN8580ES	DANFOSS 0.85GAL/80ES

Part No	Description
GN5060ES	DANFOSS 0.50GAL/60ES
GN5060S	DANFOSS 0.50GAL/60S
GN5080EH	DANFOSS 0.50GAL/80EH
GN5080ES	DANFOSS 0.50GAL/80ES
GN5080H	DANFOSS 0.50GAL/80H
GN5560EH	DANFOSS 0.55GAL/60EH
GN5560ES	DANFOSS 0.55GAL/60ES
GN5560H	DANFOSS 0.55GAL/60H
GN5560S	DANFOSS 0.55GAL/60S
GN5580EH	DANFOSS 0.55GAL/80EH
GN5580ES	DANFOSS 0.55GAL/80ES
GN5580H	DANFOSS 0.55GAL/80H
GN6060EH	DANFOSS 0.60GAL/60 EH
GN6060ES	DANFOSS 0.60GAL/60ES
GN6060S	DANFOSS 0.60GAL/60S
GN6080EH	DANFOSS 0.60GAL/80EH
GN6080ES	DANFOSS 0.60GAL/80ES
GN6080H	DANFOSS 0.60GAL/80H
GN6080S	DANFOSS 0.60GAL/80S
GN6560EH	DANFOSS 0.65GAL/60EH
GN6560ES	DANFOSS 0.65GAL/60ES
GN6560S	DANFOSS 0.65GAL/60S
GN6580EH	DANFOSS 0.65GAL/80EH
GN6580ES	DANFOSS 0.65GAL/80ES
GN6580S	DANFOSS 0.65GAL/80S
GN7580S	DANFOSS 0.75 GAL/80S
GN7560EH	DANFOSS 0.75GAL/60EH
GN7560ES	DANFOSS 0.75GAL/60ES
GN7560S	DANFOSS 0.75GAL/60S
GN7580EH	DANFOSS 0.75GAL/80EH
GN7580ES	DANFOSS 0.75GAL/80ES
GN7580H	DANFOSS 0.75GAL/80H
GN8560EH	DANFOSS 0.85GAL/60EH
GN8560ES	DANFOSS 0.85GAL/60ES
GN8560S	DANFOSS 0.85GAL/60S
GN8580EH	DANFOSS 0.85GAL/80EH
GN12560S	DANFOSS 1.25GAL/60S

Part No	Description
GN8580H	DANFOSS 0.85GAL/80H
GN8580S	DANFOSS 0.85GAL/80S
GN10080ES	DANFOSS 1.00 GAL/80ES
GN10060EH	DANFOSS 1.00GAL/60EH
GN10060ES	DANFOSS 1.00GAL/60ES
GN10060S	DANFOSS 1.00GAL/60S
GN10080EH	DANFOSS 1.00GAL/80EH
GN10080H	DANFOSS 1.00GAL/80H
GN11080H	DANFOSS 1.10 GAL/80H
GN11080S	DANFOSS 1.10 GAL/80S
GN11045S	DANFOSS 1.10GAL/45S
GN11060EH	DANFOSS 1.10GAL/60EH
GN11060ES	DANFOSS 1.10GAL/60ES
GN11060S	DANFOSS 1.10GAL/60S
GN11080EH	DANFOSS 1.10GAL/80EH
GN12060S	DANFOSS 1.20GAL/60S
GN12080H	DANFOSS 1.20GAL/80H
GN12080S	DANFOSS 1.20GAL/80S
GN12560H	DANFOSS 1.25GAL/60H

HVO NOZZLES

GN4060SHVO	DANFOSS 0.40 60° S HVO
GN5560SHVO	DANFOSS 0.55 60° S HVO

Part No	Description
GN12580S	DANFOSS 1.25GAL/80S
GN13560H	DANFOSS 1.35GAL/60H
GN13560S	DANFOSS 1.35GAL/60S
GN13580S	DANFOSS 1.35GAL/80S
GN15045S	DANFOSS 1.50GAL/45S
GN15060S	DANFOSS 1.50GAL/60S
GN16560S	DANFOSS 1.65GAL/60S
GN16580S	DANFOSS 1.65GAL/80S
GN17560H	DANFOSS 1.75GAL/60H
GN17560S	DANFOSS 1.75GAL/60S
GN20060H	DANFOSS 2.00GAL/60H
GN20060S	DANFOSS 2.00GAL/60S
GN22560S	DANFOSS 2.25GAL/60S
GN22580H	DANFOSS 2.25GAL/80H
GN25045S	DANFOSS 2.50GAL/45S
GN25060S	DANFOSS 2.50GAL/60S
GN27560S	DANFOSS 2.75GAL/60S
GN35060S	DANFOSS 3.50GAL/60S

NEW

Part No	Description
GNOZZKIT	Grant Nozzle Kit

Kit Contents	QTY
0.65/80EH nozzle	10
0.85/80EH nozzle	4
0.75/80EH nozzle	6
0.60/80EH nozzle	3
1.00/80EH nozzle	2
0.55/80EH nozzle	3
0.60/60ES nozzle	5
0.85/60ES nozzle	2
Box spanner 5/8" x 3/4" x 125mm with T-Bar	1



Part No	Description
GFV6515	65°C 1.5 metre fire valve c/w fittings
GFV6530	65°C 3 metre fire valve c/w fittings
GFV6560	65°C 6 metre fire valve c/w fittings
GFV6590	65°C 9 metre fire valve c/w fittings
GFV9020	90°C 2 metre fire valve c/w fittings
GFV9030	90°C 3 metre fire valve c/w fittings
GFV9060	90°C 6 metre fire valve c/w fittings
GFV9090	90°C 9 metre fire valve c/w fittings

Important Note

65°C fire valves can be used on Vortex Boiler House models. For all other internal and external models please use 90°C valves.

Grant Fire Valves

- Fast acting non-electric safety valve
- Manual reset
- Manual on/off for appliance servicing
- Sensor system fails safe if broken
- Two alternative temperature settings
- Remote sensing up to 12m
- Conforms to BS 5410 Part 1
- Approved to OFTEC OFS E101:2015
- Biofuel compatible



VM12/X
O-ring Kit

Suitable for:
MagOne filter

VM01 ORING
71 x 3.55 O Ring

Suitable for:
MagOne filter
MagDuo filter

VM01/MAGBAR
Magnetic Bar

Suitable for:
MagOne filter
MagDuo filter

VM01/MAGHOLDER
magnetic holder

Suitable for:
MagOne filter
MagDuo filter

VM01/2822RP
28MM - 22MM Reducing Piece

Suitable for:
MagOne filter
MagDuo filter

VM01 DUO/SPANNER
Spanner for Mag Filters

Suitable for:
MagDuo filter

VM01 DUO/SPAREKIT

Spares Kit



Suitable for:
MagDuo filter

VM01 DUO/BRASSCON

Fill & Flush Brass Connector



Suitable for:
MagDuo filter

GS200030

HE Pump + 1 inch lead



Suitable for:
GS222154E, 154G, 413HE pump stations

GS200032

HE Pump 1 1/2"



Suitable for:
GS222154H pump station

VM01 DUO/1BV

1" Ball Valve For VM05 (Pair)



Suitable for:
MagDuo filter

VM01 DUO/28BV

28MM Nickel Plated Ball Valve



Suitable for:
MagDuo filter

GSE01AX

Flow Valve Assembly (Red)



Suitable for:
GS25154 Pump Station

GSE02X

Flow Valve Assembly (Blue)



Suitable for:
GS222154E Pump Station

VM01 DUO/FILBOWL

Filter Bowl Only



Suitable for:
MagDuo filter

VM01 DUO/BVBC

Ball Valves & Brass Connector



Suitable for:
MagDuo filter

GSE03X

Safety Valve Assembly



Suitable for:
GS222154E Pump Station

GSE04X

Pressure Gauge



Suitable for:
GS222154E Pump Station

GS200033
Pump lead



Suitable for:
GS200032 HE pump (GS222154H pump station)

GS222017
Collector Clamp (bronze)



GS222766
Temperature Sensor



Suitable for:
SDX1 Controller

GS222021
Temperature Sensor



Suitable for:
GSD3 Controller

GSE07AX
Air Bottle Assembly



Suitable for:
GS222154E Pump Station

GSE08AX
Fill/ Flush and Flow Regulator Assembly



Suitable for:
GS222154E, 154G & GS222413HE pump stations

GS222094/S
Nutstein and Bolt



GSE08BX
Fill/ Flush and Flow Regulator Assembly



Suitable for:
GS222154H pump station

GS222019
1/2" Solar Releif Valve for Pump Station



GCS23
12 Litre Expansion Vessel (3/4" BSP)

Suitable for:
125 - 150lt models

GCS01A
18 Litre Expansion Vessel (3/4" BSP)

Suitable for:
Cylinders post Nov 2012

GCS18
3 Port Motorised Valve (22mm)

Suitable for:
All models

GCS20X
2 Port Motorised Valve (22mm)

Suitable fo..
All models

GCS04A
25 Litre Expansion Vessel (3/4" BSP)

Suitable for:
Cylinders post Nov 2012

GCS05A
33 Litre Expansion Vessel (3/4" BSP)

Suitable for:
Cylinders post Nov 2012

GCS33
Expansion Vessel Hose Adaptor (1" F to 3/4" M)

Suitable for:
400 Litre Cylinders

GCS07
Pressure Reducing Inlet Manifold (22mm)
c/w 3 bar PRV and 6 bar expansion relief valve

Suitable for:
Cylinders post Nov 2010

GCS27A
50 Litre Expansion Vessel (1" BSP)

Suitable for:
Cylinders post Nov 2012

GCS02
Expansion Vessel Hose (3/4" BSPF x 3/4" BSPM)

Suitable for:
All models

GCS07G
Pressure Reducing Inlet Manifold (22mm)
c/w 3 bar PRV and 6 bar expansion relief valve

Suitable for:
Cylinders pre Nov 2010

GCS08
6 Bar Pressure Relief Valve (push fit)


Suitable for:
Cylinders Pre Nov 2010

GCS34
6 Bar Pressure Relief Valve (compression fitting)



Suitable for:
Cylinders Post Nov 2010 (not QR range)

GCS17
T&P Valve (3/4" M x 22mm compression)
90°C / 7 bar, probe length 99mm



Suitable for:
400 - 500lt models

GCS13
Immersion Heater (element) & Stat



Suitable for:
All models

GCS31
Immersion Stat (only)



Suitable for:
All models

GCS09
T&P Valve (1/2" M x 15mm compression)
90°C / 7 bar, probe length 97mm




Suitable for:
Models up to 300lt

GCS10
Tundish (15mm x 22mm) c/w plastic nuts



Suitable for:
All models post Nov 2010
Models up to 300lt pre Nov 2010

GCS14
Elbow / Drain Cock



Suitable for:
All models

GSDCX1
Digital Thermostat (short capil)



Suitable for:
Non Pre Plumbed Cylinders

GCS22
Tundish (22mm x 1" F) c/w nut & olive



Suitable for:
400lt models pre Nov 2012

GCS11
Control/ Limit Stat (25°C / 65°C adj, 80°C Limit)



Suitable for:
All models

GCS34X
6 Bar Pressure relief valve (compression fitting)



Suitable for:
QR Cylinder

FREE AERONA 290 TRAINING



FOR THE DESIGN

Energy efficient
R290 refrigerant

Ultra low
noise levels

Modern styling
& colourway



FOR THE PERFORMANCE

Outputs from
4kW - 15.5kW

Rated at
Air -5°C Water 55°C

Remote monitoring
& management



FOR THE PEACE OF MIND

Performs from
-25°C to + 35°C

7 year
product guarantee*

Design & on-site
technical support



ENQUIRE HERE

HPAS01A

BTC Controller



Suitable for:
All HPAW & ASHE models

HPAS02L

BTC Sensor (blue)



Suitable for:
All HPAW & ASHE models

HPAS02A

Black Wiring Harness for BTC



Suitable for:
All HPAW & ASHE models

HPAS21X

ATC Controller



Suitable for:
All HPAW models

HPAS44

Controller Cable 5m



Suitable for:
All HPAW models

HPAS109

ATC Controller



Suitable for:
All ASHE models

HPAS43

Temperature Sensor



Suitable for:
All HPAW & ASHE models

HPAS94

Ambient Air Sensor



Suitable for:
All HPAW & ASHE models

HPID884140

Outdoor Temperature Sensor



Suitable for:
HPID16

HPID937013

Discharge & Suction Temperature Sensor



Suitable for:
HPID6, HPID10

HPAS96

Discharge Gas Sensor



Suitable for:
All HPAW models

HPAS97

Black Temperature Sensor



Suitable for:
All HPAW models

HPID884139

Discharge & Suction Temperature Sensor



Suitable for:
HPID16

HPID937193

Water Temperature Sensor



Suitable for:
HPID6

HPID883780

Outdoor Temperature Sensor



Suitable for:
HPID6, HPID10

HPID937014

Outdoor Temperature Sensor (temp defrost)



Suitable for:
HPID6, HPID10, HPID16

HPID885265

Water Temperature Sensor



Suitable for:
HPID10, HPID16

HPAS10
50uF Power Capacitor



Suitable for:
ASHE65 HPAW65
ASHE85 HPAW85

HPAS11
60uF Power Capacitor



Suitable for:
HPAW110/130

HPAS14
4uF Capacitor Fan



Suitable for:
HPAW65, ASHE175

HPAS15
6uF Capacitor Fan



Suitable for:
HPAW85, HPAW110, HPAW130, HPAW155

HPAS12
70uF Power Capacitor



Suitable for:
HPAW155

HPAS102
50uF Run Capacitor



Suitable for:
ASHE65
ASHE85

HPAS104
80uF Run Capacitor



Suitable for:
ASHE125

HPAS105
55uF Run Capacitor



Suitable for:
ASHE175

HPAS107

Fan Motor



Suitable for:
ASHE65, ASHE85, ASHE125, ASHE215

HPAS108

Fan Motor



Suitable for:
ASHE175

HPID885260

Motor



Suitable for:
HPID16

HPAS16

Fan Motor



Suitable for:
HPAW65

HPAS17

Fan Motor



Suitable for:
HPAW85, HPAW110, HPAW130, HPAW155

HPID937022

Motor



Suitable for:
HPID6

HPID885510

Motor



Suitable for:
HPID10

HPAS 111

Compressor



Suitable for:
ASHE65

HPAS 112

Compressor



Suitable for:
ASHE85

HPID934944

Compressor



Suitable for:
HPID10

HPID884116

Compressor



Suitable for:
HPID16

HPAS 113

Compressor



Suitable for:
ASHE125

HPAS 114

Compressor



Suitable for:
ASHE175

HPAS22

Compressor



Suitable for:
HPAW65

HPAS23

Compressor



Suitable for:
HPAW85

HPAS 115

Compressor



Suitable for:
ASHE215

HPID937199

Compressor



Suitable for:
HPID6

HPAS24

Compressor



Suitable for:
HPAW110

HPAS25

Compressor



Suitable for:
HPAW130

HPAS26

Compressor



Suitable for:
HPAW155

HPAS137

HE Circulating Pump



Suitable for:
ASHE65, AHSE85, ASHE125

HPAS138

HE Circulating Pump



Suitable for:
ASHE175

HPAS139

HE Circulating Pump



Suitable for:
AHSE215

HPAS29*

SE Circulating Pump (6m)



Suitable for:
HPAW65, HPAW85, HPAW110, HPAW130
ASHE65, ASHE85, ASHE125

HPAS30*

SE Circulating Pump (15m)



Suitable for:
HPAW155, ASHE 215

HPAS117*

SE Circulating Pump (8m)



Suitable for:
ASHE175

*For enquires on these products, please contact our Internal Sales team

HPID885394

Pump Assembly



Suitable for:
HPID6, HPID6R32

HPID885512

Pump Assembly



Suitable for:
HPID10, HPID10R32

HPAS18M

PCB Board (GREEN)



Suitable for:
HPAW65, HPAW85, HPAW110, HPAW130

HPAS18Z

PCB Board



Suitable for:
ASHE65, ASHE85, ASHE125

HPID885268

HE Circulating Pump



Suitable for:
HPID16, HPID16R32

HPAS18Y

PCB Board



Suitable for:
ASHE175, AHSE215

HPID885392

Main PCB Board



Suitable for:
HPID6

HPID885501

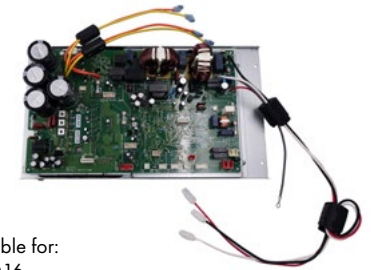
Main PCB Board



Suitable for:
HPID10

HPID885252

Main PCB Board



Suitable for:
HPID16

HPID887187
Terminal PCB Board



Suitable for:
HPID6, HPID10, HPID16

HPID885765
Controller PCB Board



Suitable for:
HPID6, HPID10, HPID16

HPAS121
2.4 Electronic Expansion Valve



Suitable for:
HPAW110, HPAW130, ASHE125, AHSE215

HPAS121 A
1.8 Electronic Expansion Valve



Suitable for:
ASHE65, ASHE85, ASHE175

HPID887479
Main PCB Board



Suitable for:
HPID6R32

HPID887489
Main PCB Board



Suitable for:
HPID10R32

HPAS127
Small Valve Coil




Suitable for:
HPAW65, HPAW85
ASHE65, ASHE85, ASHE175, ASHE215

HPAS128
Large Valve Coil



Suitable for:
HPAW110, HPAW130, ASHE125

HPID888664
Main PCB Board



Suitable for:
HPID13R32

HPID887746
Main PCB Board



Suitable for:
HPID17R32

HPAS34
22mm 1/4 turn Isolation Valve



Suitable for:
HPAW65, HPAW85, ASHE65, ASHE85

HPAS35
28mm 1/4 turn Isolation Valve



Suitable for:
HPAW110, HPAW130, HPAW155
ASHE125, ASHE175, ASHE215

HPAS45
4-Way Valve



Suitable for:
HPAW65, HPAW85, HPAW110

HPAS48
4-Way Valve



Suitable for:
HPAW130, HPAW155

HPID884117
4 Way Valve



Suitable for:
HPID16

HPID883798
Relief Valve



Suitable for:
HPID6, HPID10, HPID16

HPAS45A
4-Way Valve



Suitable for:
ASHE65, ASHE85, ASHE125

HPAS48A
4-Way Valve



Suitable for:
ASHE175

HPID885266
Air Purge Valve



Suitable for:
HPID6, HPID10, HPID16

HPID922928
Expansion Valve



Suitable for:
HPID6

HPID927359
4 Way Valve



Suitable for:
HPID6

HPID938113
4 Way Valve



Suitable for:
HPID10

HPID885511
Expansion Valve



Suitable for:
HPID10

HPID884118
Expansion Valve



Suitable for:
HPID16

HPID937196
Expansion Valve Coil



Suitable for:
HPID6

HPID884119
Expansion Valve Coil



Suitable for:
HPID6, HPID10, HPID16

HPAWSOFTA
Soft Start



Suitable for:
HPAW65, HPAW85, ASHE65

HPAWSOFTB
Soft Start



Suitable for:
HPAW110, ASHE85, ASHE175

HPID883796
4 Way Valve Coil



Suitable for:
HPID6, HPID10, HPID16

HPAWSOFTC
Soft Start



Suitable for:
HPAW130, HPAW155, ASHE125, ASHE215

HPAS 140
1A Glass Fuse (10 pack)



Suitable for:
All HPAW & ASHE models

HPAS 141
5A Glass Fuse (10 pack)



Suitable for:
All HPAW & ASHE models

HPAS64
Base Tray Wire



Suitable for:
All HPAW & ASHE models

HPAS19

12V Transformer



Suitable for:
All HPAW & ASHE models

HPAS20

24V Transformer



Suitable for:
All HPAW & ASHE models

HPAS41

Fan Nut



Suitable for:
HPAW85, HPAW135, HPAW155
ASHE125, ASHE175, ASHE215

HPAS42

Fan Washer



Suitable for:
All HPAW & ASHE models

HPAS32

3/4" Male 22mm Hose



Suitable for:
HPAW65, HPAW85, ASHE65, ASHE85

HPAS33

1" Male 28mm Hose



Suitable for:
HPAW110, HPAW130, HPAW155
ASHE125, ASHE175, ASHE215

HPAS55

Automatic Air Vent



Suitable for:
All HPAW & ASHE models

HPAS57

Element Supply Block



Suitable for:
All HPAW & ASHE models

HPAS36

Fan Blade



Suitable for:
HPAW65

HPAS37

Fan Blade



Suitable for:
HPAW85, HPAW110, HPAW130, HPAW155

HPAS59B

Black Grill Cage



Suitable for:
All HPAW models

HPAS59B

Black Grill Cage



Suitable for:
All HPAW & ASHE models

HPAS80
Bolt for Grill Cage (4 pack)




Suitable for:
All HPAW & ASHE models

HPAS81
Stainless Steel Washer for Grill (4 pack)




Suitable for:
All HPAW & ASHE models

HPAS92
Mid Pressure Switch



Suitable for:
All HPAW models

HPAS93
High Pressure Switch



Suitable for:
HPAW65, HPAW85, HPAW110, HPAW130

HPAS82
Plastic Washer for Grill (4 pack)



Suitable for:
All HPAW & ASHE models

HPAS03
3kW Immersion Heater



Suitable for:
All HPAW & ASHE models

HPAS95
Control Panel Cover



Suitable for:
All HPAW models

HPAS60
Contactor 45amp Relay



Suitable for:
All HPAW models

HPAS65
Neutral Connector Block




Image coming soon

Suitable for:
All HPAW & ASHE models

HPAS91
Low Pressure Switch



Suitable for:
All HPAW models

HPAS118
Immersion Contactor 16A



Suitable for:
All ASHE models

HPID807205
O Ring (P6)



Suitable for:
HPID10

HPID807207
O Ring (P4)




Suitable for:
HPID6, HPID10, HPID16

HPID807209
O Ring (P3)




Suitable for:
HPID6, HPID10, HPID16

HPID884211
Defrost Heater




Suitable for:
HPID6

HPID885508
Defrost Heater




Suitable for:
HPID10

HPID807213
O Ring (P16)



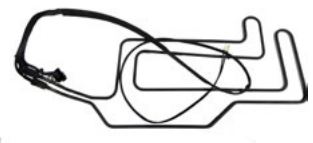
Suitable for:
All HPID10, HPID16

HPID808972
O Ring (P12.5)



Suitable for:
HPID6, HPID10, HPID16

HPID884130
Defrost Heater



Suitable for:
HPID16

HPID927200
Reactor



Suitable for:
HPID6

HPID910164
O Ring (P14)




Suitable for:
HPID6, HPID10, HPID16

HPID922856
O Ring (P22)



Suitable for:
HPID10, HPID16

HPID885508
Defrost Heater



Suitable for:
HPID10

HPID885259
Reactor



Suitable for:
HPID10, HPID16

HPID885264

Power Transformer



Suitable for:
HPID6, HPID10, HPID16

HPID884120

High Pressure Switch



Suitable for:
HPID16

HPID934945

Propeller Fan



Suitable for:
HPID10

HPID938112

Propeller Fan



Suitable for:
HPID16

HPID881618

Drain Elbow



Suitable for:
For all R32 models

HeatPump GO

MCS Umbrella Partner

Get MCS sign off on your Grant Aerona air source heat pump installs with Heat Pump Go.

Not MCS certified? With Grant UK & Heat Pump Go, G1 installers can enjoy all the benefits of an MCS certified installation without having to be certified themselves.

BENEFITS INCLUDE:

- Administration support with paperwork
- Room by room heat loss calculation for heat pump specification
- Access to £7500 Boiler Upgrade Scheme (BUS) voucher payment
- DNO application
- Commissioning and customer handover support



NOT G1 ACCREDITED?



FIND OUT HOW YOU CAN JOIN TODAY

HeatPump GO

MCS Umbrella Partner



SCAN HERE TO START YOUR APPLICATION




WPS03
Burner Fan



Suitable for:
All Spira models

WPS04X
400 Servo Motor (for brazier)




Suitable for:
All Spira models

WPS18
Electrical Connector 6-way (male)



Suitable for:
All Spira models

WPS18F
Electrical Connector 6-way (female)



Suitable for:
All Spira models

WPS05
LED Display




Suitable for:
All Spira models

WPS06
LED Display Support



Suitable for:
All Spira models

WPS10A
Ceramic Ignition Element (no housing)



Suitable for:
All Spira models

WPS10B
Ceramic Ignition Element Housing



Suitable for:
All Spira models

WPS07
Electrical Connector 7-way (female)




Suitable for:
All Spira models

WPS08
Electrical Connector 7-way (male)




Suitable for:
All Spira models

WPS10C
Ceramic Ignition Element (no wire)



Suitable for:
All Spira models

WPS22
Ignition Element Mounting Plate



Suitable for:
All Spira models

WPS12
Thermostat Cover (for pellet feed tube)



Suitable for:
All Spira models

WPS13
Pellet Feed Tube




Suitable for:
All Spira models

WPS23
Photocell Back Plate



Suitable for:
All Spira models

WPS15
Mounting Gasket



Suitable for:
All Spira models

WPS14
Gasket (for pellet feed tube)



Suitable for:
All Spira models

WPS11
Pellet Feed Thermostat



Suitable for:
All Spira models

WPS176
Draught Test Point Bolt




Suitable for:
All Spira models

WPS19
Brazier Chassis



Suitable for:
All Spira models

WPS17
Photocell Tube



Suitable for:
All Spira models

EBS14
Photocell



Suitable for:
All Spira models

WPS130X
Brazier Flame Plate (single)




Suitable for:
All Spira models

WPS199
Brazier Measuring Tool



Suitable for:
All Spira Models

WPS33A
Brazier Base Assembly



Suitable for:
Spira 5-26kW

WPS33B
Brazier Base Assembly



Suitable for:
Spira 9-36kW

WPS29XKIT
Flame hood kit (c/w 8x coach bolts & protection bracket)



Suitable for:
Spira 5-26kW

WPS29YKIT
Flame hood kit (c/w 8x coach bolts & protection bracket)



Suitable for:
Spira 9-36kW

WPS27
Control Chassis Back Plate & Base



Suitable for:
All Spira models

WPS29X
Flame Hood



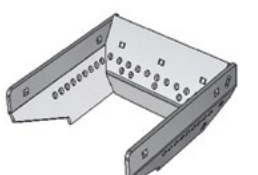
Suitable for:
Spira 5-26kW

WPS32A
Grate Enclosure



Suitable for:
Spira 5-26kW

WPS32B
Grate Enclosure



Suitable for:
Spira 9-36kW

WPS29Y
Flame Hood



Suitable for:
Spira 9-36kW

WPS31
Coach Bolt M5 x 15 (4 pack)




Suitable for:
All Spira models

WPS 112
Circuit Board




Suitable for:
Spira 6-26kW

WPS 112B
Circuit Board



Suitable for:
Spira 9-36kW

WPS112C
Circuit Board



Suitable for:
Spira 5-18kW

WPS24
Burner Fan Gasket



Suitable for:
All Spira models

WPS168
External Auger Motor




Suitable for:
All Spira models

WPS76
Solenoid Valve




Suitable for:
All Spira models

WPS25
Boiler Water Thermistor



Suitable for:
All Spira models

MPSS02
Water Pressure Gauge (for wash down unit)



Suitable for:
All Spira models

WPS107
High Limit Thermostat



Suitable for:
All Spira models

WPS200
Cam Pin & Nut



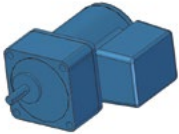
Suitable for:
Spira 6-36kW

WPS174A
Pellet Feed Elbow Quick Release




Suitable for:
All Spira models

WPS166X
8.1 Auger/shaker Motor



Suitable for:
All Spira models

WPS108
Boiler Momentary Switch (double pole on/off)



Suitable for:
All Spira models

WPS111
Pressure Switch



Suitable for:
All Spira models

WPS35
5-Way Main Connection (male)

Suitable for:
All Spira models

WPS37
5-Way Main Connection (female)

Suitable for:
All Spira models

WPS44A
Secondary Cleaning Door & Gasket

Suitable for:
Spira 5-26kW (post Nov 2014)

WPS145A
Secondary Cleaning Door & Gasket

Suitable for:
Spira 9-36kW (post Nov 2014)

WPS72
Primary Cleaning Door (for shaker chamber)

Suitable for:
Spira 5-26kW

WPS73
Primary Cleaning Door (for shaker chamber)

Suitable for:
Spira 9-36kW

WPS62
Shaker Arm Assembly

Suitable for:
Spira 5-26kW

WPS63
Shaker Arm Assembly

Suitable for:
Spira 9-36kW

WPS44
Secondary Cleaning Door & Gasket

Suitable for:
Spira 5-26kW (pre Nov 2014)

WPS145
Secondary Cleaning Door & Gasket

Suitable for:
Spira 9-36kW (pre Nov 2014)

WPS77
Primary Spiral Baffle (3mm)

Suitable for:
All Spira models

WPS57
Secondary Spiral Baffle (1.5mm)

Suitable for:
All Spira models

WPS78
Spiral Hanger

Suitable for:
Spira 5-26kW

WPS79
Spiral Hanger

Suitable for:
Spira 9-36kW

WPS85
Cleaning Mechanism Cam

Suitable for:
All Spira models (post Nov 2014)

WPS85B
Grub Screw (for cleaning mechanism)

Suitable for:
All Spira models

WPS88
Door Interlock Microswitch

Suitable for:
All Spira models

WPS81
Spring (90mm)

Suitable for:
All Spira models

WPS86
Cleaning Motor Mounting Flange

Suitable for:
All Spira models

WPS40
Flue Fan Sealing Gasket

Suitable for:
All Spira models

WPS106
Cleaning Door Handle

Suitable for:
All Spira models

WPS82
Cleaning Door Mechanism Spring

Suitable for:
All Spira models

WPS56
Fan Box Secondary Gasket

Suitable for:
All Spira models

WPS56A
Fan Box Access Door Gasket

Suitable for:
All Spira models

WPS38
Flue Fan Cleaning Solenoid (male)



Image coming soon

Suitable for:
All Spira models


WPS39
Flue Fan Cleaning Solenoid (female)



Image coming soon

Suitable for:
All Spira models

WPS89
Mounting Gasket (for shaker chamber)



Suitable for:
All Spira models

WPS74
1 m Fibre Rope (for shaker chamber)



Suitable for:
All Spira models

WPS41
Fan Box



Suitable for:
All Spira models pre Sept 2014

WPS46
Flue Fan Motor



Suitable for:
All Spira models

WPS97
Combustion Chamber Baffle



Suitable for:
Spira 5-26kW

WPS110
Control Panel Cover




Suitable for:
All Spira models

WPS173
Flue Box Air Dampner



Suitable for:
All Spira models

WPS55
Draft Stabiliser



Suitable for:
All Spira models

WPS102
2m Cleaning Door Robe (for combustion chamber)



Suitable for:
All Spira models

WPS103
Combustion Chamber Cleaning Door



Image coming soon

Suitable for:
All Spira models

WPS172
Cam (for shaker chamber)



Suitable for:
All Spira models

WPS178
Air Restrictor Plate



Suitable for:
Spira 5-18kW

WPS175
Hopper Selector Switch




Suitable for:
All Spira Hoppers

WPS164
Low Limit Switch



Suitable for:
All Spira Hoppers

WPS159
Rubber Diaphragm



Suitable for:
All Spira models

WPS100
Ash Pan



Suitable for:
Spira 5-26kW

WPSWASHDOWN6-26
Washdown Kit



Suitable for:
Spira 6-26kW

WPSWASHDOWN9-36
Washdown Kit



Suitable for:
Spira 9-36kW

WPS101
Ash Pan



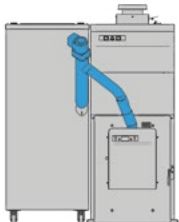
Suitable for:
Spira 9-36kW

WPS99
Ash Pan Handles




Suitable for:
All Spira models

WPS167
Single hopper right hand auger (c/w motor)



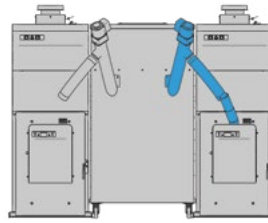
Suitable for:
Spira single boilers

WPS167X
Single hopper left hand auger (c/w motor)



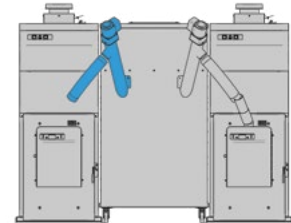
Suitable for:
Spira single boilers

WPS169
Central hopper right hand auger (c/w motor)




Suitable for:
Spira double boilers

WPS169X
Central hopper left hand auger (c/w motor)



Suitable for:
Spira double boilers

WPB6/26
Burner



Suitable for:
Spira 6-26kW

WPB9/36
Burner




Suitable for:
Spira 9-36kW

WPV01
Motor



Suitable for:
SpiraVac

WPV02
Programmable Relay



Suitable for:
SpiraVac

WPV03
Air Pressure Switch



Suitable for:
SpiraVac

WPV04
11 Pin Relay Base



Suitable for:
SpiraVac

WPV05
11 Pin Relay



Suitable for:
SpiraVac

WPV06
Relay Clip



Suitable for:
SpiraVac

WPV07
Motor & Gear Box



Suitable for:
SpiraVac

WPV08
Isolator



Suitable for:
SpiraVac

WPV13F
3 Pin Female Plug



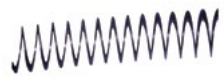
Suitable for:
SpiraVac

WPV13M
3 Pin Male Plug



Suitable for:
SpiraVac

WPV09
Auger Spiral



Suitable for:
SpiraVac

WPV10
Auger Shaft



Suitable for:
SpiraVac

WPV15F
6 Pin Female Plug



Suitable for:
SpiraVac

WPV15M
6 Pin Male Plug



Suitable for:
SpiraVac

WPV11
Auger Clamp



Suitable for:
SpiraVac

WPV12
M8 Bolts



Suitable for:
SpiraVac

WPV22F
4 Pin Female Plug



Suitable for:
SpiraVac

WPV22M
4 Pin Male Plug



Suitable for:
SpiraVac


WPV16
Air Hose Tube



Image coming soon

Suitable for:
SpiraVac

WPVCLIP/X
60-64 Rubber lined clip for vacuum hose



Suitable for:
SpiraVac

WPVDAM110
Dam for 110kg Hopper



Suitable for:
SpiraVac

WPVDAM140
Dam for 140kg Hopper



Suitable for:
SpiraVac

WPV18
View Cover



Image coming soon

Suitable for:
SpiraVac


WPV19
Filter Unit



Image coming soon

Suitable for:
SpiraVac

WPVDAM200
Dam for 200kg Hopper



Suitable for:
SpiraVac


WPV20
Bubble Gasket



Image coming soon

Suitable for:
SpiraVac

WPV21
Fully Programmed Smart Relay



Suitable for:
SpiraVac

VEC001
Front Door Lock & Keys



Image coming soon

VEC002
Electrical Isolation Switch



VEC006
Power Unit (for PCB board)



VEC007
Lambda Sensor



VEC002A
On/Off Dial (for isolation switch c/w turn bar)



Image coming soon

VEC003
Display Board (LED Screen)



VEC008
Lambda Sensor PCB Board



VEC009
Complete Heat Exchanger Cover c/w manifold



VEC004
On/Off Switch



VEC005
PCB Board



VEC010
Nozzle Tube (for washdown)




Image coming soon

VEC011
Nozzle Holder (for washdown)




Image coming soon

VEC012
Primary Heat Exchanger Spirals




Image coming soon

VEC013
Secondary Heat Exchanger Spirals
(LHS - 41/2 Turns)




Image coming soon

VEC020
Vertical Combustion Chamber Baffle



Image coming soon

VEC021
Horizontal Combustion Chamber Baffle




Image coming soon

VEC014
Secondary Heat Exchanger Spirals
(LHS - 21/2 Turns)



Image coming soon

VEC015
Shaker Box Gasket



Image coming soon

VEC022
Brazier Front Plate c/w catch




Image coming soon

VEC023
Brazier Base Plate



Image coming soon

VEC018
Ash Pan




Image coming soon

VEC019
Multi Purpose Tool



Image coming soon

VEC024
Complete Brazier Assembly




Image coming soon

VEC025
Flame Pot




Image coming soon


VEC026
Air Pressure Switch

A black, rectangular air pressure switch with a blue circular gauge on top and a white port on the side.

VEC027
Manual Air Vent


A placeholder icon consisting of a camera symbol and the text "Image coming soon".

WPS10A
Ceramic Ignition Element (no housing)

A ceramic ignition element with a grey ceramic tip, a black plastic base, and a red wire with a blue connector.

Suitable for:
All Vecta models


WPS10B
Ceramic Ignition Element Housing

A long, thin, black metal housing for a ceramic ignition element.

VEC028
Flue Fan Motor

A black, cylindrical flue fan motor with a circular fan grille on top and a metal base.

VEC029
Actuator Board

A placeholder icon consisting of a camera symbol and the text "Image coming soon".

VEC030
Fire Damper Motor (Belimo)

An orange and black fire damper motor with a circular top and electrical wires extending from the side.

VEC031
Linear Motor (Lynex)

A black linear motor with a silver shaft and a black housing, featuring a "LYNEX" label.

Terms of trading

*Terms and conditions may apply.

E & OE

Further information

12 month parts only statutory warranty on all spares, subject to terms and conditions.

The contents of this leaflet are protected by copyright and nothing may be reproduced without prior permission from Grant UK.

E & OE



Grant Engineering (UK) Ltd

t: +44 (0)1380 736920 f: +44 (0)1380 736991
e: sales@grantuk.com w: www.grantuk.com



This leaflet is accurate at the time of printing but as Grant UK has a policy of continual improvement it may be superseded. We reserve the right to amend specifications without prior notice. The statutory rights of the consumer are not affected. All products manufactured under I.S. EN ISO 9001. Grant UK additionally holds ISO 14001 accreditation.

™THE GRANT 'EZ-FIT FLUE' SYSTEM is a trade mark of Grant Engineering Limited.

©Grant Aeronia, Grant Amba, Grant Spira, Grant SpiraVac, Grant SpiraPod, Grant Vecta, Grant Vortex, Grant VortexBlue, Grant VortexAir, Grant Solar, Grant Aurora, Grant Sahara, Grant CombiSOL, Grant WinterSOL, Grant MonoWave, Grant DuoWave, Grant ThermaWave, Euroflame and Multi Pass are registered trade marks of Grant Engineering Limited. The contents of this leaflet are fully protected by copyright and nothing may be reproduced without permission from Grant UK.

